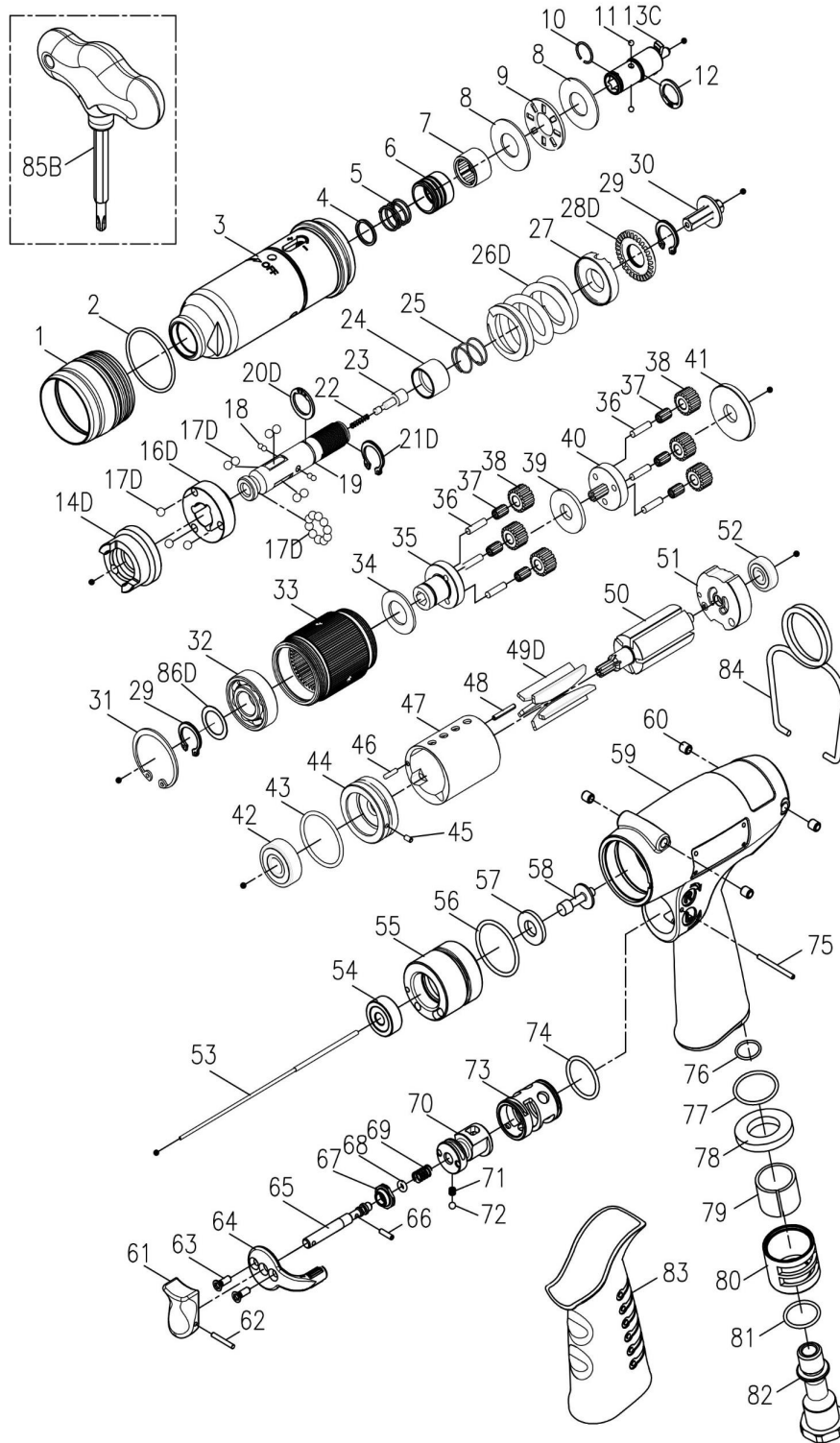


**EXPLODED VIEW & PARTS LIST**



Model	Drive Size	Torque Range		Free Speed RPM	Weight		Air Inlet inch	Noise Level dB(A)
		in-lb	N.m		lb	kg		
23579	1/4" Hex.	35 - 80	4 - 9	250	2.91	1.32	1/4"	75

# MODEL: 23579

# TORQUE CONTROLLED OFFSET SCREWDRIVER

Edition : D

Index No.	Part No.	Description	Q'ty	Index No.	Part No.	Description	Q'ty	
1	B30S-207	Adjusting Cover	1	43	00-41177	O-Ring (ø25.12xø1.78)	1	
2	00-4174	O-Ring (ø31xø1.5)	1	44	B20S-301	Front Plate	1	
3	B30-201	Clutch Housing	1	45	00-3328	Spring Pin (ø2x4L)	1	
<b>220-BS30P-4005-1D14 Anvil Units</b>				<b>1</b>				
4	B20S-415	Spring Washer	1	46	00-3430	Pin (ø2x8L)	1	
5	B20S-418	Spring	1	47	C30S-302	Cylinder	1	
6	B20S-417	Quick Change Holder	1	48	00-3404	Pin (ø2*17.8)	1	
7	00-2415	Needle Bearing (HK1210)	1	49D	BD30S-304D	Rotor Blade	5	
8	00-1516	Washer (ø12xø26x1t)	2	50	BS30R-160-303	Rotor	1	
9	00-2804	Roller Bearing (NTB1226)	1	51	C30S-305	Rear End Plate	1	
10	B20S-428B	Anvil Collar B	1	52	00-2355	Ball Bearing(625Z)	1	
11	00-3835	Steel Ball(ø2.5)	2	53	BS30SL-160-314	Valve Stem	1	
12	00-4802	Snap Ring	1	<b>220-CS30P-3009-1000 Cage Units</b>				<b>1</b>
13C	BD30S-405	Anvil	1	54	C20-320	Holder Cap	1	
<b>220-BD30S-4016-1000 Clutch Units</b>				<b>1</b>				
14D	BD30S-425	Clutch Ring	1	55	C30-309	Cage	1	
16D	BD30S-433	Spring Seat	1	56	00-41177	O-Ring (ø25.12xø1.78)	1	
17D	00-3815	Steel Ball (5/32")	19	57	C20-319	Shutting Spacer (PU)	1	
18	00-3835	Steel Ball (ø2.5)	4	58	CS30-318	Shut Bar	1	
19	B30S-416	Transmission Shaft	1	<b>220-BSJ20P-1001-1G63 Motor Housing Units</b>				<b>1</b>
20D	000-3012I	Snap Ring (ISTW-12)	1	59	C20-101B	Motor Housing	1	
21D	00-3516	Snap Ring (STW-11)	1	60	I40S-108	Bushing	4	
22	B30-524	Spring	1	61	C20-504	Trigger	1	
23	B30S-527	Piston	1	62	00-3354	Spring Pin (ø2x14L)	1	
24	B30S-449	Control Ring	1	63	00-0514	Flat Head Screw (M3x8L)	2	
25	B30S-427	Spring	1	64	I100-503	Regulator Knob	1	
26D	BD30S-429	Spring(ø4)	1	65	IS40-505C	Valve Stem	1	
27	B30S-431	Adjusting Lock Ring	1	66	00-3356	Spring Pin (ø2x8L)	1	
28D	BD40S-430	Adjusting Nut	1	67	I100-508	Bushing	1	
29	00-3507	Snap Ring (S12)	1	68	00-41172	O-Ring (ø2.57xø1.78)	1	
30	B30S-421	Connecting Shaft	1	69	I40-507	Spring	1	
<b>220-BS30SL-4040-1000 Gear Box Units</b>				<b>1</b>				
31	00-3113	Snap Ring (R28)	1	70	IS40-502	F/R Valve	1	
29	00-3507	Snap Ring (S12)	1	71	I100-506	Spring	1	
86D	BD15S-441	Washer	1	72	00-3813	Steel Ball (1/8" )	1	
32	00-2305A	Ball Bearing (6001)	1	73	I40-501	Valve Sleeve	1	
33	BS30R-160-440	Internal Gear	1	74	00-41267	O-Ring (ø15.5xø1.5)	1	
34	C20S-441	Washer	1	75	I100-511	Pin	1	
35	BS30R-160-442	Front Gear Cage	1	76	00-4157	O-Ring (ø10xø1.5)	1	
36	00-3408	Pin (ø3x12L)	6	77	00-41244	O-Ring (ø19xø1.5)	1	
37	00-2422	Needle Bearing (K3X5X7)	6	78	B30-601	Muffler	1	
38	BS30R-160-443A	Planet Gear A	6	79	I40-601	Muffler	1	
39	B30S-160-444	Washer	1	80	I40-603	Exhaust Deflector	1	
40	BS30R-160-452	Rear Gear Cage Assy.	1	81	00-4121	O-Ring (ø15xø1.5)	1	
41	C30S-448	Rear Cover	1	82	I40-604A	Air Inlet (1/4" PF-19)	1	
<b>220-BS30SL-3003-1000 Motor Units</b>				<b>1</b>				
42	00-2332	Ball Bearing (608ZZ)	1	82	I40-604B	Air Inlet (1/4" PT-19)	1	
					I40-604C	Air Inlet (1/4" NPT-18)		
				83	I60-103	Housing Rubber	1	
				84	I40S-102	Hanger	1	
				85B	BS40S-012	Adjusting Bit	1	

## Warranty

### FULL SIX MONTH WARRANTY

Jiffy Air Tool warrants its products against any defects that are due to faulty material or workmanship for a six month period after the original date of customer purchase. This warranty does not include damage to the product resulting from accident, misuse, or repairs performed by unauthorized personnel. If the product should become defective within the warranty period, or you have questions regarding warranty or service, call Customer Service.

**JIFFY AIR TOOL**

**USA** 2254 Conestoga Drive | Carson City NV 89706-0434  
**Europe** Unit 8 Lane End Industrial Park | High Wycombe | Bucks HP14 3BY UK

**JIFFYAIRTOOL.COM**

1-800-828-8665 U.S. and Canada 1-775-883-1072 International  
+49 163 255 48 69 Europe