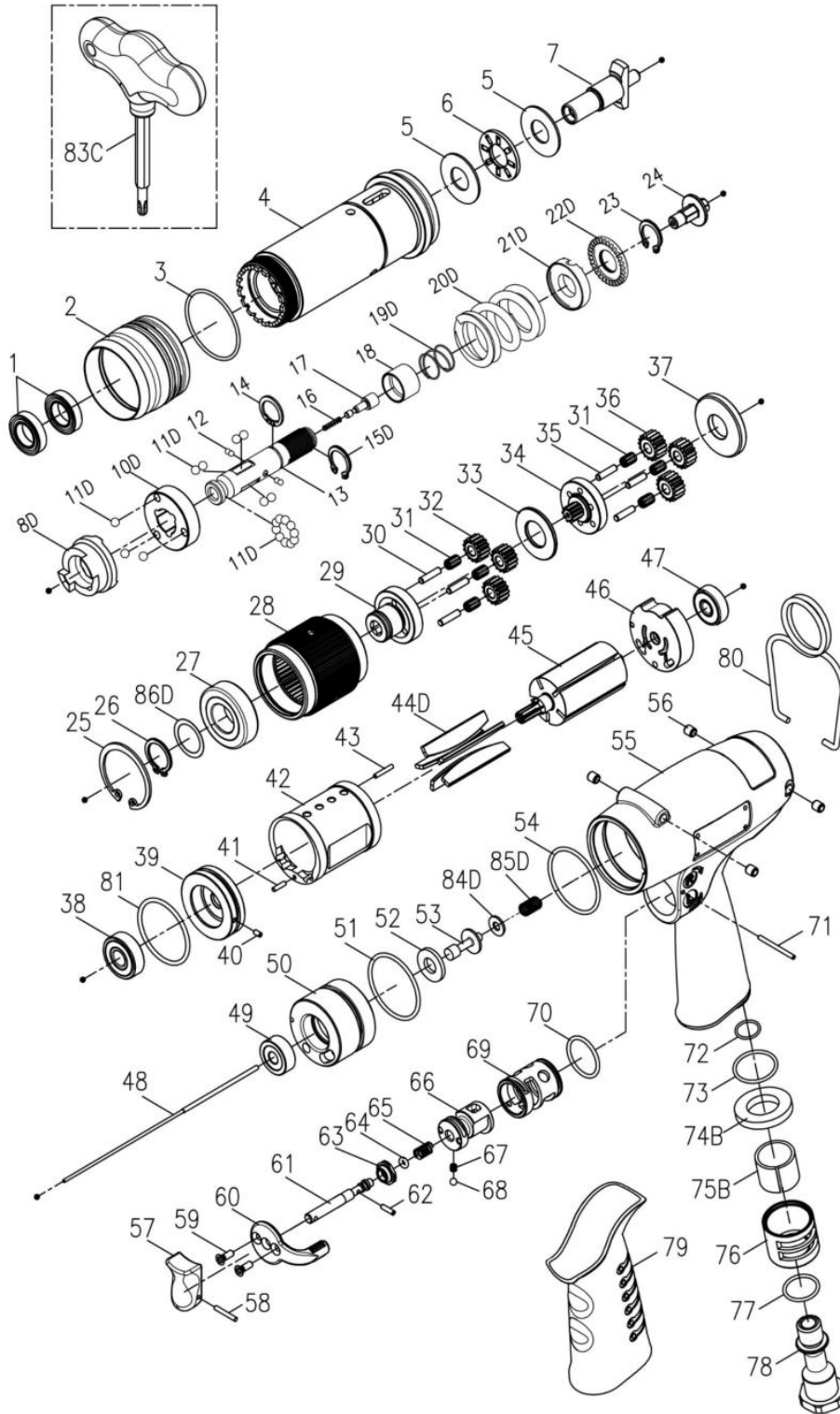


EXPLODED VIEW & PARTS LIST



Model	Drive Size	Torque Range		Free Speed	Weight		Air Inlet	Noise Level
		in-lb	N.m	RPM	lb	kg	inch	dB(A)
23573	1/4" Hex.	70 - 110	7.9 - 12.4	310	3.62	1.64	1/4"	85

TORQUE CONTROLLED OFFSET MOTOR

Edition : D

Index No.	Part No.	Description	Q'ty	Index No.	Part No.	Description	Q'ty
1	00-2352	Ball Bearing (6801ZZ)	2	43	00-3404	Pin (φ2x17.8L)	1
2	B40S-207	Adjusting Cover	1	44D	BD40S-304D	Rotor Blade	5
3	00-4174	O-Ring (φ31xφ1.5)	1	45	BS40S-303	Rotor	1
4	BS40R-201	Clutch Housing	1	46	BS40S-305B	Rear End Plate	1
5	00-1516	Washer (φ12xφ26x1t)	2	47	00-2323	Ball Bearing (626ZZ)	1
6	00-2804	Roller Bearing (NTB1226)	1	48	BS40SL-314	Valve Stem	1
7	B30R-405	Anvil	1	220-BSJ40P-3009-1000 Cage Units			1
220-BD50S-4016-1000 Clutch Units				49	C20-320	Holder Cap	1
8D	BD40S-425	Clutch Ring	1	50	C40-309	Cage	1
10D	BD40S-433	Spring Seat	1	51	00-41206	O-Ring (φ31.47xφ1.78)	1
11D	00-3815	Steel Ball (5/32")	19	52	C20-319	Shutting Spacer (PU)	1
12	00-3835	Steel Ball (φ2.5)	4	53	CS30-318	Shut Bar	1
13	B30S-416	Transmission Shaft	1	84D	00-1525	Plain Washer	1
14	000-3012I	Snap Ring (ISTW-12)	1	85D	C20-507	Spring	1
15D	00-3516	Snap Ring (STW-11)	1	220-BSJ40P-1001-1G63 Motor Housing Units			1
16	B30-524	Spring	1	54	00-41210	O-Ring (φ35xφ2)	1
17	B30S-527	Piston	1	55	C40-101	Motor Housing	1
18	B30S-449	Control Ring	1	56	I40S-108	Bushing	4
19D	B30S-427	Spring	1	57	C20-504	Trigger	1
20D	BS50S-429	Spring(φ4.5)	1	58	00-3354	Spring Pin (φ2x14L)	1
21D	BD50S-431	Adjusting Lock Ring	1	59	00-0514	Flat Head Screw (M3x8L)	2
22D	BD40S-430	Adjusting Nut	1	60	I100-503	Regulator Knob	1
23	00-3507	Snap Ring (S12)	1	61	IS100-505C	Valve Stem	1
24	B30S-421	Connecting Shaft	1	62	00-3356	Spring Pin (φ2x8L)	1
220-BS40S-4040-1000 Gear Box Units				63	I100-508	Bushing	1
25	00-3104	Snap Ring (R32)	1	64	00-41172	O-Ring (φ2.57xφ1.78)	1
26	00-3504	Snap Ring (S15)	1	65	I100-507	Spring	1
86D	BD40S-441	Washer	1	66	IS100-502	F/R Valve	1
27	00-2391	Ball Bearing (6002LU)	1	67	I100-506	Spring	1
28	BS40S-440	Internal Gear	1	68	00-3813	Steel Ball (1/8")	1
29	BS40S-442	Front Gear Cage	1	69	I100-501	Valve Sleeve	1
30	00-3444	Pin (φ3x12.8L)	3	70	00-41267	O-Ring (φ15.5xφ1.5)	1
31	00-2422	Needle Bearing (K3X5X7)	6	71	I100-511	Pin	1
32	BS40S-443A	Planet Gear A	3	72	00-4157	O-Ring (φ10xφ1.5)	1
33	BS40S-444	Washer	1	73	00-41125	O-Ring (φ20.35xφ1.78)	1
34	BS40S-452	Rear Gear Cage Assy.	1	74B	C20S-601	Muffler	1
35	00-3408	Pin (φ3x12L)	3	75B	I70-601	Muffler	1
36	BS40S-443B	Planet Gear B	3	76	I100-603	Exhaust Deflector	1
37	BS40S-448	Rear Cover	1	77	00-41111	O-Ring (φ16xφ1.5)	1
220-BS40S-3003-2000 Motor Units				78	I100-604A	Air Inlet (1/4" PF-19)	
38	00-2332	Ball Bearing (608ZZ)	1		I100-604B	Air Inlet (1/4" PT-19)	1
81	00-41241	O-Ring (φ32xφ1.5)	1		I100-604C	Air Inlet (1/4" NPT-18)	
39	BS40S-301	Front Plate	1	79	I90-103	Housing Rubber	1
40	00-3328	Spring Pin (φ2x4L)	1	80	I40S-102	Hanger	1
41	00-3430	Pin (φ2x8L)	1	83C	BS40S-012	Adjusting Bit	1
42	BS40S-302	Cylinder	1				

Warranty

FULL SIX MONTH WARRANTY

Jiffy Air Tool warrants its products against any defects that are due to faulty material or workmanship for a six month period after the original date of customer purchase. This warranty does not include damage to the product resulting from accident, misuse, or repairs performed by unauthorized personnel. If the product should become defective within the warranty period, or you have questions regarding warranty or service, call Customer Service.