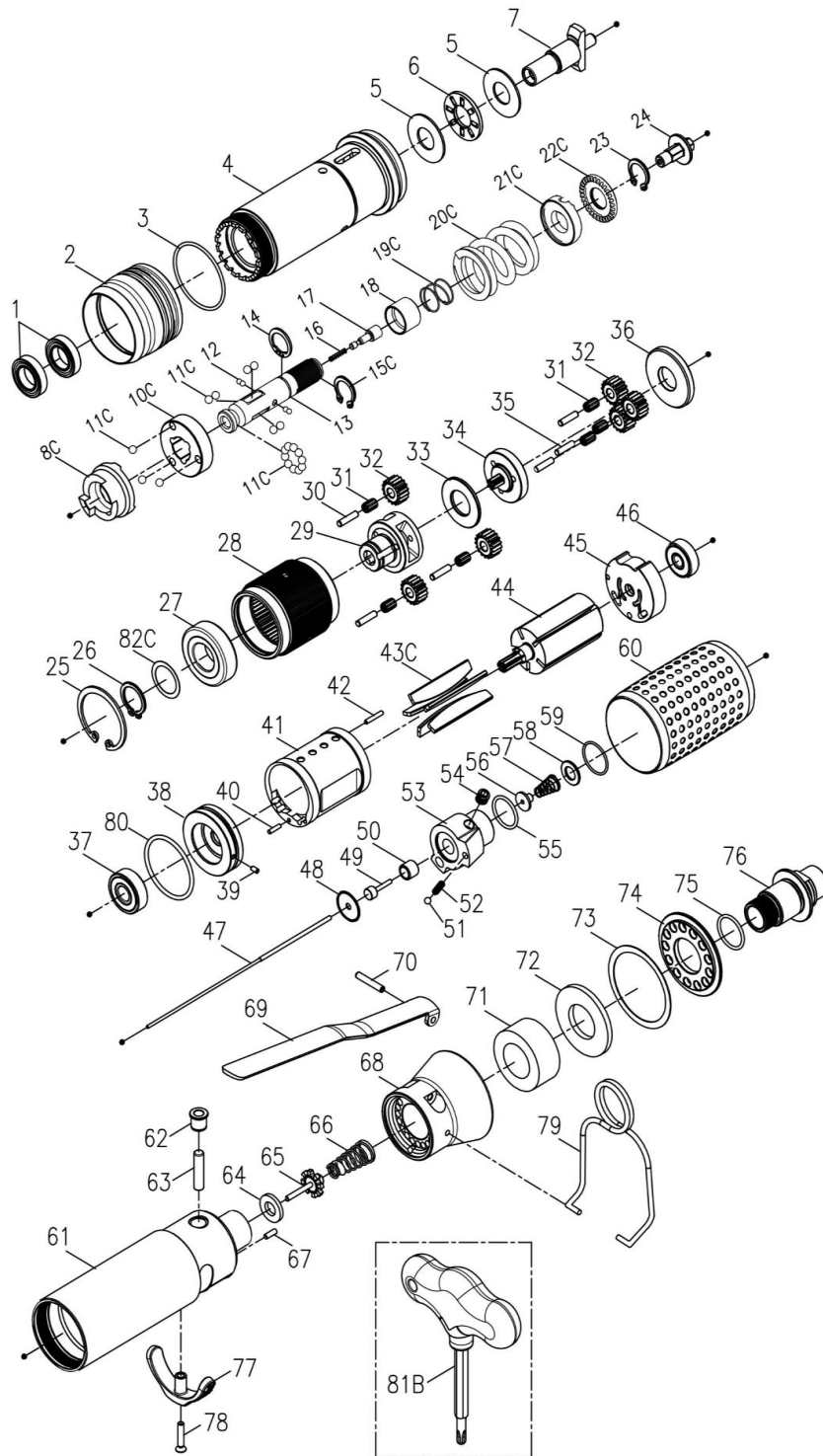


EXPLODED VIEW & PARTS LIST



Model	Drive Size	Torque Range		Free Speed RPM	Weight		Air Inlet inch	Noise Level dB(A)
		in-lb	N.m		lb	kg		
23553	1/4" Hex.	100 - 180	11.3 - 20.3	220	3.2	1.45	1/4"	85

TORQUE CONTROLLED STRAIGHT MOTOR

Edition : C

Index No.	Part No.	Description	Q'ty	Index No.	Part No.	Description	Q'ty
1	00-2352	Ball Bearing (6801ZZ)	2	41	BS40S-302	Cylinder	1
2	B40S-207	Adjusting Cover	1	42	00-3447	Pin (∅2x12L)	1
3	00-4174	O-Ring (∅31x∅1.5)	1	43C	BD40S-304D	Rotor Blade	5
4	BS40R-201	Clutch Housing	1	44	BS40S-303	Rotor	1
5	00-1516	Washer (∅12x∅26x1t)	2	45	BS40S-305	Rear End Plate	1
6	00-2804	Roller Bearing (NTB1226)	1	46	00-2323	Ball Bearing (626ZZ)	1
7	B30R-405	Anvil	1	47	BS40SL-314	Valve Stem	1
220-BD50R-4016-2000 Clutch Units			1	220-BS40SL-5002-1000 Reverse Valve Units			1
8C	BD40S-425	Clutch Ring	1	48	C30SL-525	Washer	1
10C	BD40S-433	Spring Seat	1	49	CS30SL-527	Piston	1
11C	00-3815	Steel Ball (5/32")	19	50	C20SL-526	Guide Ring	1
12	00-3835	Steel Ball (∅2.5)	4	51	00-3805	Steel Ball (1/8")	1
13	B30S-416	Transmission Shaft	1	52	305F-034	Spring	1
14	000-3012I	Snap Ring (ISTW-12)	1	53	BS40SL-502	Reverse Valve	1
15C	00-3516	Snap Ring	1	54	00-0606	Set Screw (M6x6L)	1
16	B30-524	Spring	1	55	00-41117	O-Ring (∅15x∅1.5)	1
17	B30S-527	Piston	1	56	CS30SL-514	Shut Block	1
18	B30S-449	Control Ring	1	57	CS20SL-515	Spring	1
19C	B30S-427	Spring	1	58	C30SL-533	Washer	1
20C	BS50S-429B	Spring(∅5)	1	59	00-41217	O-Ring (∅16x∅1)	1
21C	BD50S-431	Adjusting Lock Ring	1	60	B40S-103	Housing Rubber	1
22C	BD40S-430	Adjusting Nut	1	220-BS40SL-1001-1000 Motor Housing Units			1
23	00-3507	Snap Ring (S12)	1	61	BS40SL-101	Motor Housing	1
24	B30S-421	Connecting Shaft	1	62	I40S-509	Bushing	1
220-BS50S-4040-1000 Gear Box Units			1	63	BS40SL-510	Pin	1
25	00-3104	Snap Ring (R32)	1	64	I40S-508	Bushing	1
26	00-3504	Snap Ring (S15)	1	65	305C-021	Valve Stem	1
82C	BD40S-441	Washer	1	66	C30S-515	Spring	1
27	00-2391	Ball Bearing (6002LU)	1	67	00-3448	Pin (∅2.5x8L)	1
28	BS40S-440	Internal Gear	1	68	BS40SL-603	Exhaust Deflector	1
29	BS50S-442	Front Gear Cage	1	69	BS30R-160-504	Trigger	1
30	00-3444	Pin (∅3x12.8L)	3	70	00-3308	Spring Pin (∅3x18L)	1
31	00-2422	Needle Bearing (K3X5X7)	6	71	BS40S-601A	Muffler	1
32	BS40S-443B	Planet Gear B	6	72	BS40S-601C	Muffler	1
33	BS40S-444	Washer	1	73	BS40S-607	Gasket	1
34	BS50S-452	Rear Gear Cage Assy.	1	74	BS40S-608	Deflector Cap	1
35	00-3408	Pin (∅3x12L)	3	75	00-41111	O-Ring (∅16x∅1.5)	1
36	BS40S-448	Rear Cover	1		B30S-604A	Air Inlet (1/4" PF-19)	
220-BS40S-3003-1000 Motor Units			1		B30S-604B	Air Inlet (1/4" PT-19)	1
37	00-2332	Ball Bearing (608ZZ)	1		B30S-604C	Air Inlet (1/4" NPT-18)	
80	00-41241	O-Ring (∅32x∅1.5)	1	77	B40S-503	Reverse Knob	1
38	BS40S-301	Front Plate	1	78	00-0509	Screw (M3x16L)	1
39	00-3328	Spring Pin (∅2x4L)	1	79	B20S-102	Hanger	1
40	00-3430	Pin (∅2x8L)	1	81B	BS40S-012	Adjusting Bit	1

Warranty

FULL SIX MONTH WARRANTY

Jiffy Air Tool warrants its products against any defects that are due to faulty material or workmanship for a six month period after the original date of customer purchase. This warranty does not include damage to the product resulting from accident, misuse, or repairs performed by unauthorized personnel. If the product should become defective within the warranty period, or you have questions regarding warranty or service, call Customer Service.