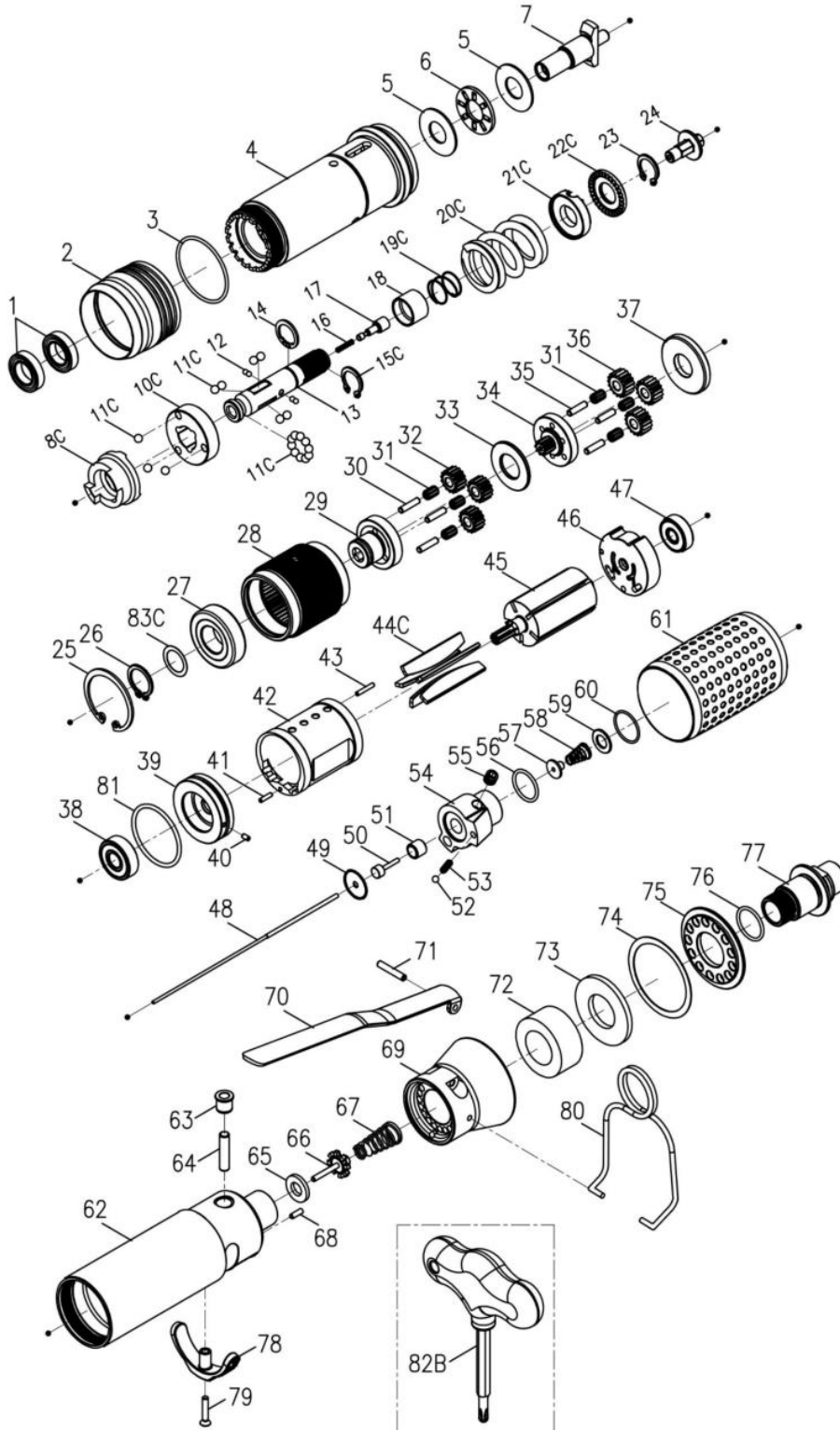


EXPLODED VIEW & PARTS LIST



Model	Drive Size	Torque Range		Free Speed RPM	Weight		Air Inlet inch	Noise Level dB(A)
		in-lb	N.m		lb	kg		
23550	1/4" Hex.	70 - 110	7.9 - 12.4	310	3.2	1.45	1/4"	85

TORQUE CONTROLLED STRAIGHT MOTOR

Edition : C

Index No.	Part No.	Description	Q'ty	Index No.	Part No.	Description	Q'ty	
1	00-2415	Needle Bearing (HK1210)	1	43C	BD30S-304D	Rotor Blade	5	
2	B30S-207	Adjusting Cover	1	44	BS30R-160-303	Rotor	1	
3	00-4174	O-Ring (Ø31xØ1.5)	1	45	C30S-305	Rear End Plate	1	
4	BS30S-250-201	Clutch Housing	1	46	00-2355	Ball Bearing(625Z)	1	
5	00-1516	Washer (Ø12xØ26x1t)	2	47	BS30SL-160-314	Valve Stem	1	
6	00-2804	Roller Bearing (NTB1226)	1	220-CS30SL-5002-1000		Reverse Valve Units	1	
7	B30R-405	Anvil	1	48	C30SL-525	Washer	1	
220-BD30S-4016-1000				Clutch Units				1
8C	BD30S-425	Clutch Ring	1	49	CS30SL-527	Piston	1	
10C	BD30S-433	Spring Seat	1	50	C20SL-526	Guide Ring	1	
11C	00-3815	Steel Ball (5/32")	19	51	00-3805	Steel Ball (1/8")	1	
12	00-3835	Steel Ball (Ø2.5)	4	52	305F-034	Spring	1	
13	B30S-416	Transmission Shaft	1	53	C30SL-502	Reverse Valve	1	
14C	000-3012I	Snap Ring (ISTW-12)	1	54	00-0606	Set Screw (M6x6L)	1	
15C	00-3516	Snap Ring (STW-11)	1	55	00-41117	O-Ring (Ø15xØ1.5)	1	
16	B30-524	Spring	1	56	CS30SL-514	Shut Block	1	
17	B30S-527	Piston	1	57	CS20SL-515	Spring	1	
18	B30S-449	Control Ring	1	58	C30SL-533	Washer	1	
19	B30S-427	Spring	1	59	00-41217	O-Ring (Ø16xØ1)	1	
20C	BD30S-429	Spring	1	60	B20S-103	Housing Rubber	1	
21	B30S-431	Adjusting Lock Ring	1	220-BS30SL-1001-1000		Motor Housing Units	1	
22C	BD40S-430	Adjusting Nut	1	61	B30SL-101	Motor Housing	1	
23	00-3507	Snap Ring (S12)	1	62	I40S-509	Bushing	1	
24	B30S-421	Connecting Shaft	1	63	IS40S-510	Pin	1	
220-BS30SL-4040-1000				Gear Box Units				1
25	00-3113	Snap Ring (R28)	1	64	00-41156	O-Ring (Ø3.5xØ1.5)	1	
85C	BD15S-441	Washer	1	65	00-1304	Cap Screw (M5x6L)	1	
26	00-2305A	Ball Bearing (6001)	1	66	00-3448	Pin (Ø2.5x8L)	1	
27	BS30R-160-440	Internal Gear	1	67	I40S-508	Bushing	1	
28	C20S-441	Washer	1	68	305C-021	Valve Stem	1	
29	BS30R-160-442	Front Gear Cage	1	69	C30S-515	Spring	1	
23	00-3507	Snap Ring (S12)	1	70	00-41223	O-Ring (Ø31xØ1)	1	
30	00-3408	Pin (Ø3x12L)	6	71	B30SL-603	Exhaust Deflector	1	
31	00-2422	Needle Bearing (K3X5X7)	6	72	BS30R-160-504	Trigger	1	
32	BS30R-160-443A	Plant Gear A	6	73	00-3308	Spring Pin (Ø3x18L)	1	
33	B30S-160-444	Washer	1	74	B30S-601A	Muffler	1	
34	BS30R-160-452	Rear Gear Cage Assy.	1	75	B30S-601B	Muffler	1	
35	C30S-448	Rear Cover	1	76	B30S-601C	Muffler	1	
220-BS30SL-3003-1000				Motor Units				1
36	00-2332	Ball Bearing (608ZZ)	1	77	00-41224	O-Ring (Ø38xØ1.5)	1	
37	00-41177	O-Ring (Ø25.12xØ1.78)	1	78	B30S-608	Deflector Cap	1	
38	B20S-301	Front Plate	1	79	00-41111	O-Ring (Ø16xØ1.5)	1	
39	00-3328	Spring Pin (Ø2x4L)	1		B30S-604A	Air Inlet (1/4"PF-19)		
40	00-3430	Pin (Ø2x8L)	1	80	B30S-604B	Air Inlet (1/4"PT-19)	1	
41	C30S-302	Cylinder	1		B30S-604C	Air Inlet (1/4"NPT-18)		
42	00-3447	Pin (Ø2*12L)	1	81	C30S-503	Reverse Knob	1	
				82	00-0509	Screw (M3x16L)	1	
				83	B20S-102	Hanger	1	
				84B	BS40S-012	Adjusting Bit	1	

Warranty

FULL SIX MONTH WARRANTY

Jiffy Air Tool warrants its products against any defects that are due to faulty material or workmanship for a six month period after the original date of customer purchase. This warranty does not include damage to the product resulting from accident, misuse, or repairs performed by unauthorized personnel. If the product should become defective within the warranty period, or you have questions regarding warranty or service, call Customer Service.