

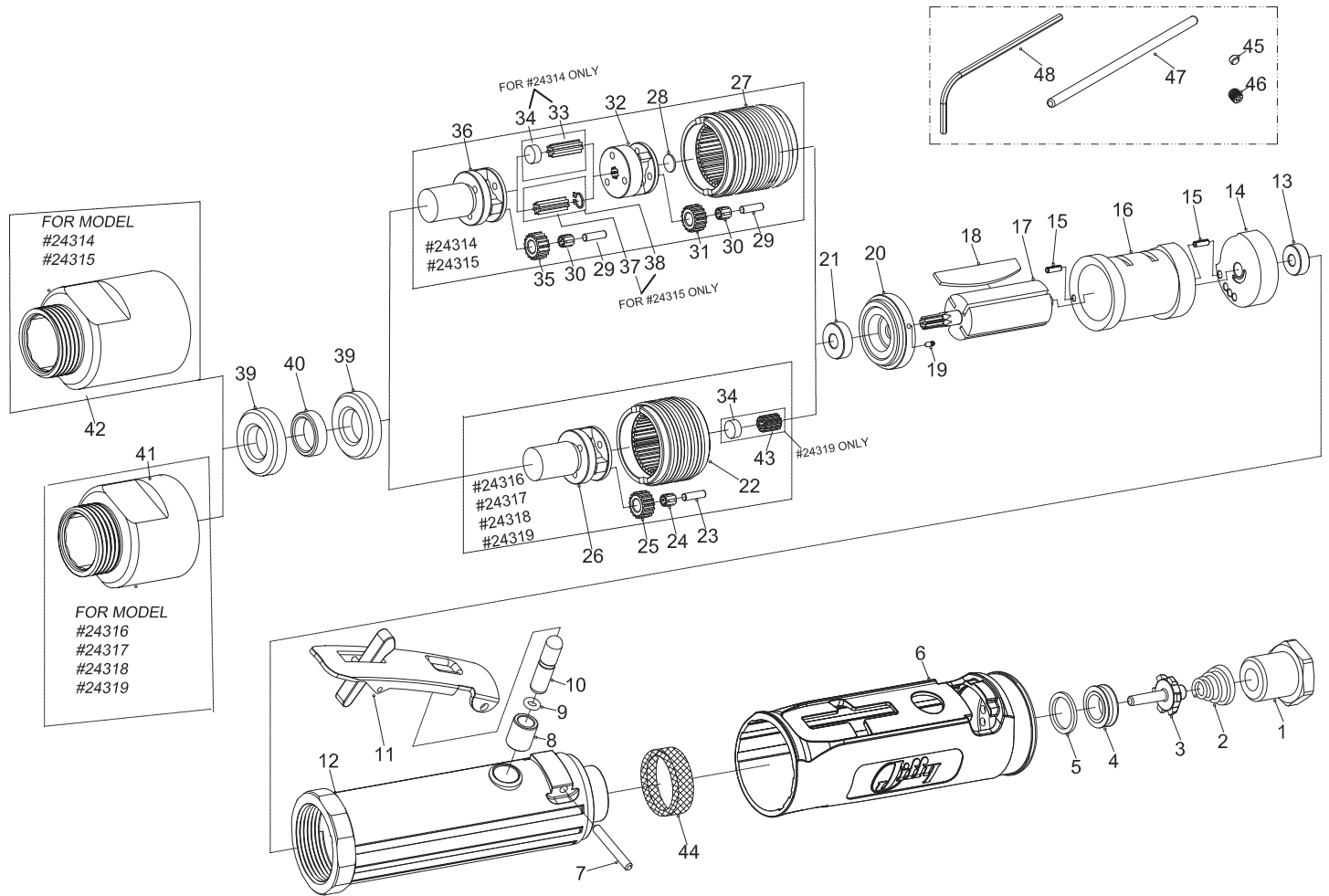


Motor Assembly

24314 500 rpm
 24315 1000 rpm
 24316 2400 rpm

24317 3300 rpm
 24318 4500 rpm
 24319 6000 rpm

EXPLODED VIEW & PARTS LIST



Warranty

FULL SIX MONTH WARRANTY

Jiffy Air Tool warrants its products against any defects that are due to faulty material or workmanship for a six month period after the original date of customer purchase. This warranty does not include damage to the product resulting from accident, misuse, or repairs performed by unauthorized personnel. If the product should become defective within the warranty period, or you have questions regarding warranty or service, call Customer Service.

JIFFY AIR TOOL

USA 2254 Conestoga Drive | Carson City NV 89706-0434
 Europe Unit 8 Lane End Industrial Park | High Wycombe | Bucks HP14 3BY UK

JIFFYAIRTOOL.COM

1-800-828-8665 U.S. and Canada 1-775-883-1072 International
 +49 163 255 48 69 Europe



Motor Assembly

24314 500 rpm
24315 1000 rpm
24316 2400 rpm

24317 3300 rpm
24318 4500 rpm
24319 6000 rpm

REF #	Part #	Description	Qty.
1	9 872401	AIR INLET	1
2	9 872402	VALVE SPRING	1
3	9 872422	VALVE STEM	1
4	9 872423	VALVE SEAT	1
5	9 872403	VALVE WASHER	1
6	9 872420-JIF	CUSHION GRIP W/DEFLECTOR	1
7	9 SPP0324	THROTTLE LEVER PIN	1
9	9 0R2512	O-RING	1
10	9 872405	VALVE STEM	1
11	9 872802B	THROTTLE LEVER ASSEMBLY	1
12	9 872404-1	MOTOR HOUSING w/#8 bushing	1
13	9 B694Z	BALL BEARING	1
14	9 889101	REAR PLATE	1
15	9 589040	SPRING PIN	2
16	9 872407	CYLINDER	1
18	9 389215	ROTOR BLADE	4
19	9 389218	SPRING PIN	1
20	9 889102	FRONT PLATE	1
21	9 B695Z	BALL BEARING	1
39	9 B6901	BALL BEARING	2
40	9 3892A31	STEEL RING	1
44	9 ZZ389507	SILENCER	1
45	9 389361-C	PLUG LOCKING	2
46	9 589036	SCREW	2
47	9 389358	PIN	1
48	9 389360	HEX KEY	1
FOR MODEL 24314 VERSION (500 RPM)			
17	9 389214-7	ROTOR	1
27	9 889103-L	RING GEAR	1
28	9 389242	CAP	1
29	9 389229	PIN	6
30	9 289228	NEEDLE BEARING	6
31	9 389227	GEAR	3
32	9 289226	GEAR CAGE	1
33	9 389225	SUN GEAR	1
34	9 889105	PLUG	1
37	9 389227	GEAR	3
38	9 3892A-5	GEAR CAGE	1
42	9 889104-L-TI	FRONT HOUSING	1
FOR MODEL 24315 VERSION (1000 RPM)			
17	9 389214-9	ROTOR	1
27	9 889103-L	RING GEAR	1
28	9 389242	CAP	1

REF #	Part #	Description	Qty.
FOR MODEL 24315 VERSION (1000 RPM) CONT.			
30	9 389228	NEEDLE BEARING	6
31	9 389227-10	GEAR	3
32	9 389226-1	GEAR CAGE	1
64	9 389225-1	SUN GEAR	1
65	9 CTW25	RETAINER	1
37	9 389241	GEAR	3
38	9 3892A-10	GEAR CAGE	1
42	9 889104-L-TI	FRONT HOUSING	1
FOR MODEL 24316 VERSION (2400 RPM)			
17	9 389214-5	ROTOR	1
22	9 889103-S	RING GEAR	1
23	9 389229	PIN	3
24	9 389228	NEEDLE BEARING	3
25	9 389227-24	GEAR	3
26	9 3892A-24	GEAR CAGE	1
41	9 889104-S-TI	FRONT HOUSING	1
FOR MODEL 24317 VERSION (3300 RPM)			
17	9 389214-7	ROTOR	1
22	9 889103-S	RING GEAR	1
23	9 389229	PIN	3
24	9 389228	NEEDLE BEARING	3
25	9 389227-10	GEAR	3
26	9 3892A-5	GEAR CAGE	1
41	9 889104-S-TI	FRONT HOUSING	1
FOR MODEL 24318 VERSION (4500 RPM)			
17	9 389214-9	ROTOR	1
22	9 889103-S	RING GEAR	1
23	9 389229	PIN	3
24	9 389228	NEEDLE BEARING	3
25	9 389227-10	GEAR	3
26	9 3892A-45	GEAR CAGE	1
41	9 889104-S-TI	FRONT HOUSING	1
FOR MODEL 24319 VERSION (6000 RPM)			
17	9 389214-7	ROTOR	1
22	9 889103-S	RING GEAR	1
23	9 389229	PIN	3
24	9 389228	NEEDLE BEARING	3
25	9 389241	GEAR	3
26	9 3892A-10	GEAR CAGE	1
41	9 889104-S-TI	FRONT HOUSING	1
63	9 389225-6	SUN GEAR	1