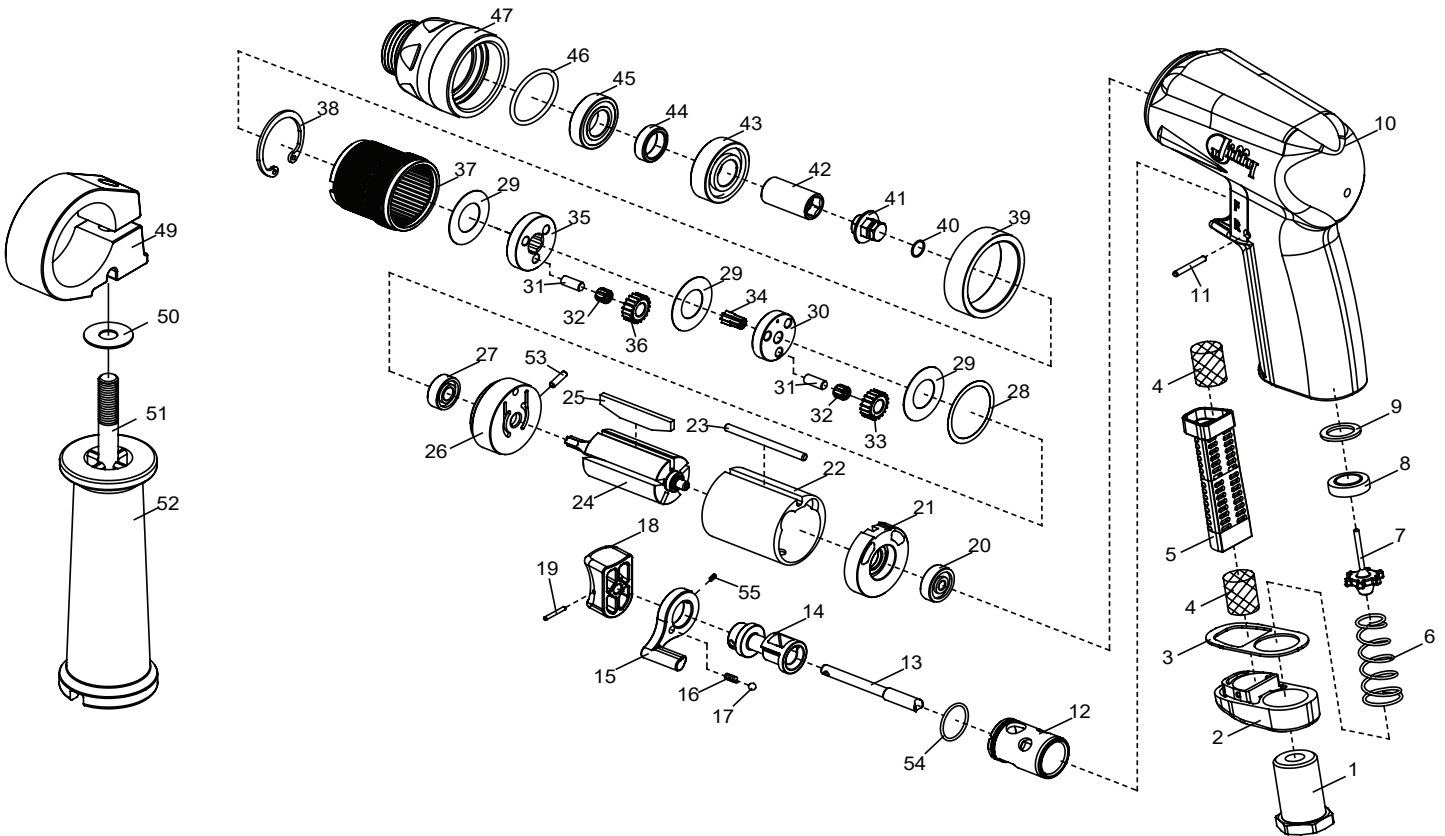


EXPLODED VIEW & PARTS LIST



SPECIFICATIONS

Free Speed (RPM)	Motor Drive (HP)	Length (in)	Weight (lb)	Air Cons. (scfm)	Rec. Air Pressure	Air Inlet (in)	Rec. Hose Size (in)	Noise Level	Vibration Level (m/sec ²)
300	.70	5.35	2.25	24	90 PSI - 6.2 Bar	1/4	3/8	89 dBA	1.46

Warranty

FULL SIX MONTH WARRANTY

Jiffy Air Tool warrants its products against any defects that are due to faulty material or workmanship for a six month period after the original date of customer purchase. This warranty does not include damage to the product resulting from accident, misuse, or repairs performed by unauthorized personnel. If the product should become defective within the warranty period, or you have questions regarding warranty or service, call Customer Service.

JIFFY AIR TOOL

USA 2254 Conestoga Drive | Carson City NV 89706-0434
 Europe Unit 8 Lane End Industrial Park | High Wycombe | Bucks HP14 3BY UK

JIFFYAIRTOOL.COM

1-800-828-8665 U.S. and Canada 1-775-883-1072 International
 +49 163 255 48 69 Europe



MODEL: 27165 300 RPM JMI REVERSIBLE MOTOR

Ref #	Part Number	Description	Qty
1	633801-MT	AIR INLET	1
2	389202	DEFLECTOR	1
3	389203	GASKET	1
4	ZZ389507	SILENCER	2
5	389208	MUFFLER	1
6	BP45HP05	SPRING	1
7	328804C	VALVE	1
8	328835	VALVE SEAT	1
9	328825S	SPACER	1
10	389809R-JIF	HOUSING	1
11	P2524	PIN	1
12	389850	VALVE BUSHING	1
13	389852	VALVE STEM	1
14	389851	REVERSE VALVE	1
15	589011-ZN	REVERSE VALVE LEVER	1
16	589044	SPRING	1
17	SB0003	STEEL BALL	1
18	389820-JIF	TRIGGER	1
19	589039	SPRING PIN	1
20	396614	BALL BEARING	1
21	396610	REAR PLATE	1
22	396611	CYLINDER	1
23	396619	CYLINDER PIN	1
24	389854-5	ROTOR	1
25	396613G	ROTOR BLADE	5
26	389853	FRONT PLATE	1
27	B696ZZ	BALL BEARING	1

Ref #	Part Number	Description	Qty.
28	389828	SHIM	1
29	389833	WASHER	3
30	389826-1	PLANETARY SHAFT	1
31	389829	PIN	6
32	KT465	NEEDLE BEARING	6
33	389827	PLANET GEAR	3
34	389825-2	SUN GEAR	1
35	389830-2	PLANETARY SHAFT	1
36	389827-2	PLANET GEAR	3
37	389855	RING GEAR	1
38	389838	CIRCLIP	1
39	389842	SPACER	1
40	589050	O-RING	1
41	389858	CONNECTION PIN	1
42	389857	SPINDLE	1
43	B6001Z-TPI	BALL BEARING	1
44	3892A31	STEEL RING	1
45	B6901	BALL BEARING	1
46	OR2402	O-RING	1
47	389859	FRONT HOUSING	1
49	389847	ARM CASE	1
50	389849	WASHER	1
51	389848-1	SCREW	1
52	389848	ARM	1
53	308013	PIN	1
54	589052	O-RING	1
55	HEXM306	SET SCREW	1

Warranty

FULL SIX MONTH WARRANTY

Jiffy Air Tool warrants its products against any defects that are due to faulty material or workmanship for a six month period after the original date of customer purchase. This warranty does not include damage to the product resulting from accident, misuse, or repairs performed by unauthorized personnel. If the product should become defective within the warranty period, or you have questions regarding warranty or service, call Customer Service.

JIFFY AIR TOOL

USA 2254 Conestoga Drive | Carson City NV 89706-0434
Europe Unit 8 Lane End Industrial Park | High Wycombe | Bucks HP14 3BY UK

JIFFYAIRTOOL.COM

1-800-828-8665 U.S. and Canada 1-775-883-1072 International
+49 163 255 48 69 Europe