



# AIR TOOLS

Low Speed Tire Buffer

FP832



# AIR TOOLS

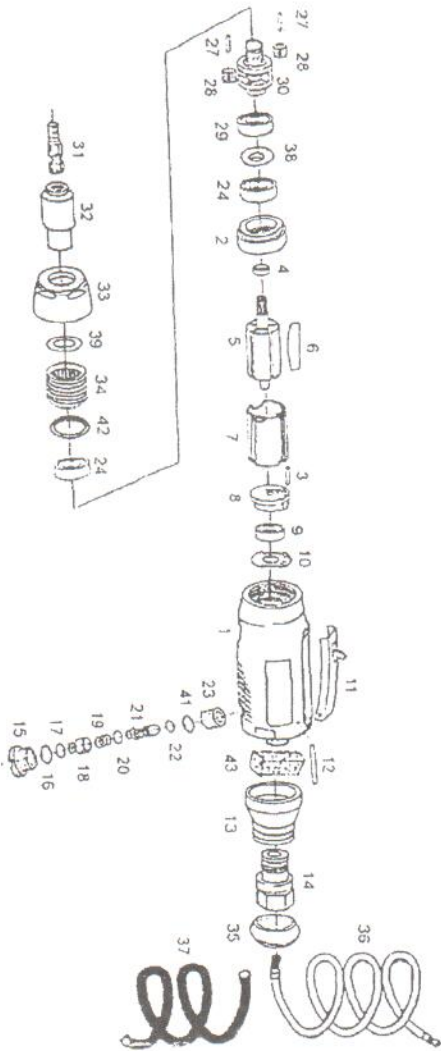
Low Speed Tire Buffer

FP832

- Chuck size..... 7/16" Int. Hex Chuck
- Free speed ..... 2,800 RPM
- Weight..... 2.2 lbs.
- Overall length..... 8 4/5"
- Recommended hose size..... 3/8" I.D.
- Air inlet..... 1/4" NPT
- Maximum operating pressure..... 90 PSI

### Parts Breakdown for FP832

Note: always use accessories with an RPM rating that meets or exceeds the tool RPM rating. Always examine accessories before mounting for chips, cracks, or signs of damage. Never use accessories that have been dropped or exposed to, water, solvent, or extreme temperature changes. It is a good practice to operate the tool in a protected enclosure for one minute after mounting any accessory.



### Replacement Parts for FP832

Ref. Description	Part #	Ref. Description	Part #
1 Motor Housing	9832010	22 O Ring	920412
2 Front End Plate	983208	23 Valve Bushing	983214
3 Pin	9SP25X18	24 Ball Bearing (2)	9B6000ZZ
4 Bearing Spacer	983244	27 Pin (2)	9NR4X13.8
5 Rotor	983215A	28 Planet Gear (2)	925011B
6 Rotor Blade (4)	925007	29 Ball Bearing	9B6001ZZ
7 Cylinder	920815	30 Gear Case	983224A
8 Rear End Plate	983217	31 Adapter	920031
9 Ball Boaring	925004	32 O.C. Retainer	920030
10 Gasket	983210	33 Clamp Nut	983229
11 Throttle Lever	983221	34 Internal Gear	983213
12 Lever Pin (2)	9SP3X10	35 Clamping Ring	983226
13 Exhaust Deflector	983203	36 Hose	983236
14 Air Inlet	983212	37 Muffler Hose	983237
15 Valve Screw	920010A	38 Gasket	983270
16 O Ring	925203	39 Wave Washer	9WW18
17 O Ring	910548	41 O Ring	935003
18 Air Regulator Stem	983207	42 O Ring	9R28X12
19 Spring	983216	43 Muffler	982343
20 O Ring	9R5X19		
21 Valve Stem	983205		

**WARNING:** This product contains lead, a chemical known to the state of California to cause cancer and birth defects or other reproductive harm. Wash hands after handling.

### Limited Warranty

Florida Pneumatic warrants its tools to be free from defects in material and workmanship for two years from the date of purchase. This warranty does not apply to tools which have been abused, misused, modified or repaired by someone other than Florida Pneumatic or its authorized service centers. If a Florida Pneumatic proves defective in material or workmanship within one year after purchase, return it to any authorized service center or to Florida Pneumatic, freight prepaid. Please enclose your name, address and adequate proof of purchase date with a brief description of the defect. Florida Pneumatic will, at its option, repair or replace defective tools, free of charge. Repairs or replacements are warranted as described above for the remainder of the warranty period. Florida Pneumatic's sole liability and your exclusive remedy under this warranty is limited to repair or replacement of the defective tool. There are no other warranties expressed or implied and Florida Pneumatic shall not be liable for incidental, consequential or special damages, or any other damage costs or expense of repair or replacement as described above.

Obtain a copy of CAGI B186, 1-2008 Safety Code for Portable Air Tools from the following source:  
**COMPRESSED AIR AND GAS INSTITUTE**  
 1300 SUMNER AVENUE  
 CLEVELAND, OH 44115-2851  
 PH (216) 241-7333  
 WWW.CAGI.ORG

Or from Florida Pneumatic MFG Corp.  
 851 JUDKAY PARK LANE  
 HUNTER, FL 33458  
 PH (561) 744-9500