

### IMPORTANT!! Read carefully before operating this tool.

Failure to operate any power tool properly can result in personal injury and/or property damage.



#### 7.2.2.3 GENERAL SAFETY RULES

- Multiple hazards. Read and understand the safety instructions before installing, operating, repairing, maintaining, changing accessories on, or working near the power tool. Failure to do so can result in serious bodily injury.
- Only qualified and trained operators should install, adjust or use the power tool.
- Do not modify this power tool. Modifications may reduce the effectiveness of safety measures and increase the risks to the operator.
- Do not discard the safety instructions – give them to the operator.
- Do not use a tool if the tool has been damaged.
- Warnings shall be given against the risk of explosion or fire due to the material being processed;
- Warnings shall be given against the risk of cutting.



#### 7.2.2.4 PROJECTILE HAZARDS

- Failure of the work piece, of accessories, or even of the tool itself may generate high velocity projectiles.
- Always wear impact-resistant eye protection during operation of the tool. The grade of protection required should be assessed for each use.



#### 7.2.2.5 ENTANGLEMENT HAZARDS

- Entanglement hazard - choking, scalping and/or lacerations can occur if neck ware, hair or gloves are not kept away from tool and accessories.

#### 7.2.2.6 OPERATING HAZARDS

- Use of the tool may expose the operator's hands to hazards including crushing, impacts, cuts and abrasions and heat. Wear suitable gloves to protect hands.
- Operators and maintenance personnel must be physically able to handle the bulk, weight and power of the tool.
- Hold the tool correctly: be ready to counteract normal or sudden movements – have both hands available.
- Maintain a balanced body position and secure footing.
- Keep hands away from rotating or reciprocation accessories, spindles or other moving parts.
- Release the start and stop device in the case of an interruption of the energy supply
- Use only lubricants recommended by the manufacturer.

#### 7.2.2.7 REPETITIVE MOTIONS HAZARDS

- When using a power tool, you may experience discomfort in your hands, arms, shoulders, neck, or other parts of your body.
- While using a power tool, position your body in a comfortable posture. Maintain secure footing and avoid awkward or off-balanced postures. Changing your posture during extended tasks may help avoid discomfort and fatigue.
- If you experience symptoms such as persistent or recurring discomfort, pain, throbbing, aching, tingling, numbness, burning sensation, or stiffness, do not ignore these warning signs. Promptly tell your employer and consult a qualified health professional.



#### 7.2.2.8 ACCESSORY HAZARDS

- Only use sizes and types of accessories and consumables that are recommended by the power tool manufacturer.

#### 7.2.2.9 WORKPLACE HAZARDS

- Slips, trips and falls are major causes of workplace injury. Be aware of slippery surfaces caused by use of the tool and also of trip hazards caused by the air line or hydraulic hose.
- Proceed with care in unfamiliar surroundings. Hidden hazards may exist, such as electricity or other utility lines.
- This power tool is not intended for use in potentially explosive atmospheres and is not insulated from coming into contact with electric power.
- Make sure there are no electrical cables, gas pipes etc. that could cause a hazard if damaged by use of the tool.



#### 7.2.2.10 DUST AND FUME HAZARDS

- Dust from some work processes can cause cancer, birth defects or other respiratory diseases. Risk assessment of these hazards and implementation of appropriate controls is essential.
- If the pneumatic tool is used in a dust filled environment exhaust air can cause a dust hazard



- Dusts and fumes generated when using power tools can cause ill health (for example: cancer, birth defects, asthma and/or dermatitis); risk assessment of these hazards and implementation of appropriate controls of is essential.
- Risk assessment should include dust created by the use of the tool and the potential for disturbing existing dust.
- Operate and maintain the power tool as recommended in these instructions, to minimize dust or fume emissions
- Direct the exhaust so as to minimized disturbance of dust in a dust filled environment
- Where dusts or fumes are created, the priority shall be to control them at the point of emission.
- All integral features or accessories for the collection, extraction or suppression of airborne dust or fumes should be correctly used and maintained in accordance with the manufacturer's instructions.
- Select, maintain and replace the consumable/inserted tool as recommended in these instructions, to prevent an unnecessary increase in dust or fumes
- Use respiratory protection as instructed by your employer or as required by occupational health and safety regulations;

#### 7.2.2.11 NOISE HAZARDS

- Unprotected exposure to high noise levels can cause permanent, disabling, hearing loss and other problems such as tinnitus (ringing, buzzing, whistling or humming in the ears);
- Risk assessment of these hazards and implementation of appropriate controls of is essential.
- Appropriate controls to reduce the risk may include actions such as damping materials to prevent work pieces from 'ringing'
- Use hearing protection as instructed by your employer or as required by occupational health and safety regulations;
- Operate and maintain the power tool as recommended in these instructions, to prevent an unnecessary increase in noise levels;
- Select, maintain and replace the consumable/inserted tool as recommended in these instructions, to prevent an unnecessary increase in noise.



#### 7.2.2.12 VIBRATION HAZARDS

- Exposure to vibration can cause disabling damage to the nerves and blood supply of the hands and arms;
- Wear warm clothing when working in cold conditions and keep your hands warm and dry;
- If you experience numbness, tingling, pain or whitening of the skin in your fingers or hands, stop using the power tool, and tell your employer. You should also seek medical advice from a qualified occupational health professional.
- Operate and maintain the power tool as recommended in these instructions, to prevent an unnecessary increase in vibration;
- Select, maintain and replace the consumable/inserted tool as recommended in these instructions, to prevent an unnecessary increase in vibration levels;
- Support the weight of the tool in a stand, tensioner or balancer, because the operator can then use a lighter grip to support the tool.
- Hold the tool with a light but safe grip taking account of the required hand reaction forces, because the risk from vibration is generally greater when the grip force is higher.



#### 7.2.3 ADDITIONAL SAFETY INSTRUCTIONS FOR PNEUMATIC POWER TOOLS - AIR SUPPLY & CONNECTION HAZARDS

- Air under pressure can cause severe injury.
- Always shut off air supply, drain hose of air pressure and disconnect tool from air supply when not in use, before changing accessories or when making repairs.
- Never direct air at yourself or anyone else.
- Whipping hoses can cause severe injury. Always check for damaged or loose hoses and fittings.
- Whenever universal twist couplings (claw couplings) are used, lock pins must be installed.
- Do not exceed the maximum air pressure stated on the tool.
- Use whip check safety cables to safeguard against possible hose to tool and hose to hose connection failure.
- Never carry an air tool by the hose.

# Safety Information

## AIR COMPRESSOR AND AIR TOOL SAFETY

1. Risk of Bursting. Do not adjust the regulator to result in output pressure greater than the marked maximum pressure of this air tool.
2. Ensure the hose is free of obstructions or snags. Entangled or snarled hoses can cause loss of balance or footing and may become damaged.
3. Never leave a spray gun unattended with the air hose attached.
4. Do not operate this tool if it does not contain a legible warning label.
5. Do not continue to use a spray gun or hose that leaks air or does not function properly.
6. Never direct a jet of compressed air toward people or animals.
7. Protect your lungs. Wear a face or dust mask if the operation is dusty.



**WARNING:** Do not use at a pressure greater than the rated maximum pressure of this spray gun.



**WARNING:** Do not attempt to modify this spray gun or create accessories not recommended for use with this spray gun. Any such alteration or modification is misuse and could result in a hazardous condition leading to possible serious personal injury.



**WARNING:** Operating any power tool can result in foreign objects being thrown into your eyes, which can result in severe eye damage. Before beginning operation, always wear safety goggles, safety glasses with side shields, or a full face shield when needed. Always use eye protection marked to comply with ANSI Z87.1.

**WARNING** Sound levels produced by spray guns during use may be harmful to the ear depending on the set-up. It is recommended that ear protection is always worn at all times when spraying.

## Fire and Explosion Hazard

Equipment must not be used in an area contaminated by volatile or flammable materials. This could ignite the contaminants causing a dangerous explosion.

- Do not spray flammable or combustible materials near an open flame or sources of ignition such as cigarettes, motors, and electrical equipment.
- Never use 1,1,1-Trichloroethane, Methylene Chloride, other Halogenated Hydrocarbon solvents or fluids containing such solvents in equipment with aluminum wetted parts. Such use could result in a serious chemical reaction, with the possibility of explosion. Consult your fluid suppliers to ensure that the fluids being used are compatible with aluminum parts.
- Always keep spray area well-ventilated. Always keep a good supply of fresh air moving through the area.
- Do not smoke in the spray area.
- Do not operate light switches, engines, or similar spark producing products in the spray area.
- Always keep area clean and free of paint or solvent containers, rags, and other flammable materials.
- Fire extinguisher equipment shall be present and working.

## Toxic Fluid or Fumes Hazard

Toxic fluids or fumes can cause serious injury or death if splashed in the eyes or on skin, inhaled, or swallowed.

- Read MSDS (Material Safety Data Sheet) to know the specific hazards of the fluids you are using.
- Always wear appropriate gloves and eye protection.
- Always wear a respirator. Read all instructions of the respirator to ensure that it will provide the necessary protection against the inhalation of harmful vapors. Also check with the local jurisdiction.
- Paint, solvents, insecticides and other materials may be harmful if inhaled.
- Store hazardous fluid in approved containers and dispose of it according to applicable guideline.
- Do not stop or deflect fluid leaks with your hand or body.

## Safety Information

### Equipment Misuse Hazard

Misuse of equipment can cause serious injury or death.

- Health and safety, accident prevention, work and environment protection regulations and policies are mandatory.
- Never aim the Spray Gun at another person or animal. In the event of injury, seek expert medical attention immediately.
- Do not operate or spray near children. Always keep children away from equipment at all times.
- Do not overreach or stand on an unstable support. Always keep effective footing and balance.
- Stay alert and watch what you are doing.
- Do not operate the unit when fatigued or under the influence of drugs or alcohol.
- Check the hose, hose connectors and Spray Gun before every use. Any worn or damaged parts should be replaced immediately.
- Before performing any maintenance to the equipment, de-energize, depressurize, disconnect and lock out all power sources.
- Use only genuine AIRCAT replacement parts. Never modify the equipment.



**WARNING:** THIS PRODUCT CAN EXPOSE YOU TO CHEMICALS, INCLUDING LEAD, WHICH IS KNOWN TO THE STATE OF CALIFORNIA TO CAUSE CANCER AND BIRTH DEFECTS OR OTHER REPRODUCTIVE HARM. For more information go to [www.P65Warnings.ca.gov](http://www.P65Warnings.ca.gov)

### Air Supply Connection

- Attach pressure regulator with gauge (not included) to the spray gun's air inlet (optional)
- Attach hose connector fitting (not included) to pressure regulator with gauge
- Connect air supply hose
- Air supply must be clean, moisture free, oil free and properly regulated.



**NOTE:** For best results, it is recommended to use a 1/4" ID air pressure hose. If hose is over 20ft then a 3/8" diameter would be ideal. Using a smaller diameter hose will result in a significant drop in pressure.



**NOTE:** These HVLP spray guns will operate around 12.5 CFM. Ensure you have a suitable air supply.

### Specifications

Model No.	Air Cons. (CFM)	Operating Range	Standard Aircap Set	Air Supply Hose Width	Weight (lbs.)	Air Inlet NPT (in.)
6905	12.5	14-28 PSI	1.6 mm	3/8"	1.2	1/4
6900	12.5	14-28 PSI	1.3 mm	3/8"	1.2	1/4

# Operation

To clean out any impurities that may have accumulated during assembly or shipping of the spray gun, we recommend spraying a small quantity of clean paint thinner through the gun.

If you intend to spray water-based paints and materials, make sure fluid passages and components that may have come in contact with paint thinner are completely dry.

- Mix material to manufacturer's requirements, and properly strain.
- Fill the material cup no more than maximum 3/4 full - do not overfill.
- Turn the fan pattern control knob (#33) counter-clockwise, to widen the fan pattern and clockwise to narrow the fan pattern.
- Connect air supply to the spray gun and rotate the fluid control knob (#18) counter-clockwise two full turns. This will allow for some material to flow out of the nozzle to atomize.
- Point spray gun away from you, pull the trigger and gauge the spray gun's settings. You may need to adjust material flow, air pressure, or fan pattern settings at this time to achieve desired settings.

## Fluid Control

If the material flow is too heavy, turn the fluid control knob clockwise, this will reduce material volume flow. To increase material volume flow for a wet finish, turn the fluid control knob counter-clockwise.

## Pressure Regulator

Air pressure adjustment will significantly affect how the material is atomized. If looking too coarse when wet, increase air supply pressure at the pressure regulator located at base of the spray gun's handle. If looking too fine, decrease pressure. For pressure specifications of the spray gun, see page 3.

## Pattern Control

To produce a smaller fan pattern, turn the fan pattern control knob (#33) clockwise. For widest pattern, turn fan pattern control knob counter-clockwise.

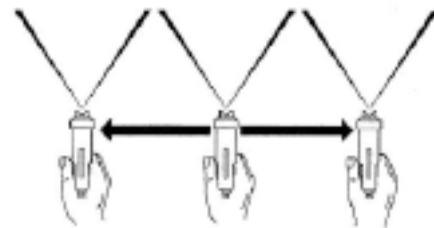
**NOTE** In most cases, a combination of all three adjustments will provide the desired results.

Begin spraying by pulling the trigger and move the spray gun in the direction you want to spray. Start your pass from off the edge of the piece; then continue off the edge of the piece on the other end before releasing the trigger. Between each successive pass, overlap by 50%.

**CAUTION** Never for any reason point the spray gun directly at the face or head of a person.

## Technique

The spray gun should be held perpendicular to the surface at all times. Hold the gun no more than 8 inches away from the surface to be sprayed.



Correct method



Incorrect method

# Troubleshooting - Finish

Problem	Possible Cause	Solution
<p>Orange peel.</p> <p>Finish is rough and resembles orange peel. Surface is spotty.</p> <p>Finish is rough and resembles orange peel. Surface is spotty.</p>	Material is too thick	Add more thinner (or appropriate solvent)
	Air inlet pressure is too low	Increase air pressure to the gun
	Drying too fast	Add retarder
	Too close to surface	Keep distance 8" away from surface
	Fluid volume control knob set to heavy flow	Turn fluid control knob clockwise to decrease flow
		Spray an extremely thin film, but still wet coat
Surface is rough or dirty	Prep or clean thoroughly	
<p>Gritty finish</p> <p>Sprayed surface is rough and dry to the touch</p>	The material is too thin, it is likely to be over-atomized	Set the fluid control knob to increment material flow
		Spray a wetter coat
	Too far from surface	Keep distance 8"
	Contaminated surface	Prep and clean thoroughly
<p>Fish eyes</p> <p>A sprayed surface or spot that the material does not adhere to</p>	Contamination such as silicone or oil on the surface that interferes with the finish	Thoroughly clean, wash or sand the area, then spray over. Start with light coats
<p>Runs and sags</p> <p>When paint/material is pooling in an area causing drips</p>	Fluid volume control Knob set to heavy flow	Turn fluid control knob clockwise to decrease flow
	The speed of your pass is too slow	Replace the nozzle and / or needle.
	Inconsistent distance from surface per pass	Keep distance 8" away from surface

# Troubleshooting - Spray Guns

Problem	Possible Cause	Solution
No paint, or very little paint	No pressure from air supply hose	Check for air leaks on hose or adjust to appropriate pressure
	The air passage in lid of the cup may be obstructed	Clean any obstructions in lid of the cup
	Cup is empty	Refill cup with material
	Strainer may be clogged	Replace/remove strainer
	Fluid coupler is blocked with material	Clean fluid coupler
	Surface is rough or dirty	Prep or clean thoroughly
Uneven spray pattern	One of the holes in the air cap may be blocked	Remove air cap or nozzle and clean by soaking in appropriate solvent and using a soft bristle brush or a rag Never use metal objects to clean holes in the air cap
	The material could be contaminated and partially blocking fluid nozzle	
Leakage  If material comes out of the fluid nozzle without pulling the trigger	The needle is not seated in the fluid nozzle properly. Check if needle or fluid nozzle is damaged or worn	Lubricate needle or replace needle and fluid nozzle
	Foreign matter trapped between needle and fluid nozzle	Remove needle and fluid nozzle and thoroughly clean
	Loose fluid nozzle	Tighten fluid nozzle
	Wrong fluid nozzle or needle size installed	Check and install correct fluid nozzle or needle size to match
Poor spray pattern	Damaged needle or nozzle	Replace
	Air holes in air cap or nozzle clogged	Clean air cap or fluid nozzle
	Damaged air cap	Replace
	Gun too far from surface	Keep consistent distance of 8"
Gun sprays in a pulsating manner	Cup is almost empty	Refill cup with material
	Blocked fluid passage	Thoroughly clean fluid passages with appropriate solvent
	Air passage in the lid of the cup may be obstructed	Clean any obstruction in lid of the cup
	Fluid nozzle is loose or damaged	Tighten with supplied wrench or replace
The trigger is sluggish	Bent needle or not lubricated	Replace
		Lubricate shaft of needle
Paint at the air nozzle holes	Fluid nozzle is loose and material is leaking around it	Tighten with supplied wrench

# Cleaning

## General Cleaning

It is very important to properly clean your spray gun after each use. This will prevent any build-up and/or contamination when spraying other materials. Keeping your spray gun clean will also prevent spray problems due to blockage.

**NOTE: PLEASE DO NOT USE A WIRE BRUSH OR ANYTHING METAL TO CLEAN THE SPRAY GUN OR CUP AS THIS WILL CAUSE DAMAGE.**

Never soak the complete spray gun in solvent as this is detrimental to the seals and removes lubricants from its parts.

## Cleaning Fluid Passages (Level 1)

1. Remove lid of the cup and pour left over material into a container
2. Wipe the inside of the cup with a solvent soaked cloth
3. Add some appropriate solvent into the cup, reattach lid to the cup and spray
4. Pull the trigger repeatedly to properly flush the fluid passages, needle and nozzle
5. This process flushes solvent through the spray gun while it is still connected to the air supply hose and the paint is still wet inside the gun

If this type of quick cleaning is performed frequently, the spray gun will function well for many years. More than 50% of problems with a spray gun stem from clogs in the fluid passages and perhaps more important, the air passages.

## Disassembly

After cleaning the spray gun, it is recommended that the fluid passages and threads are blown dry prior to reassembly.

Prior to reassembly, always ensure ALL gun components are present. Assembly of the spray gun with missing parts may cause damage or harm.

## Thorough Cleaning (Level 2)



Remove air cap and thoroughly clean air cap (4) and nozzle (6).



Remove fluid control knob. (18)

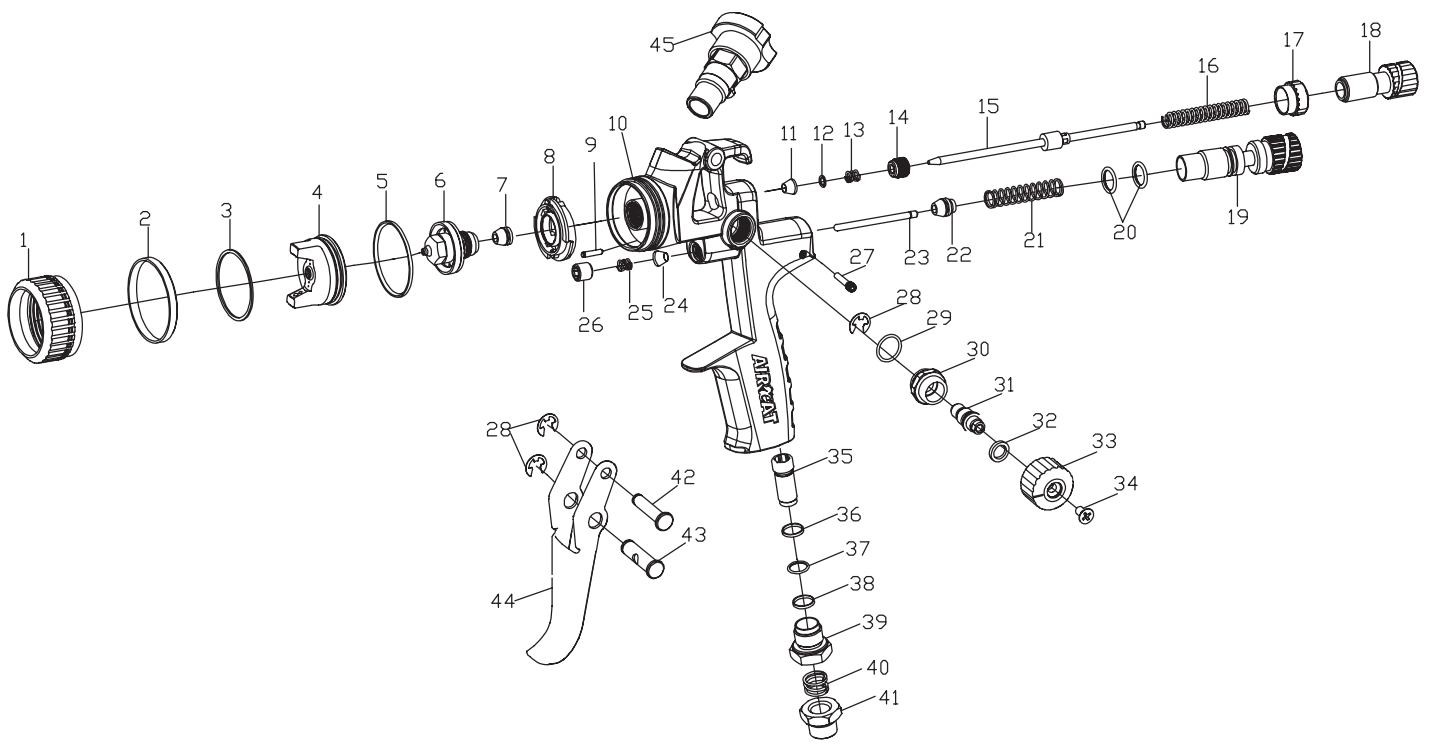


Pull out needle and clean.



Reassemble the needle and store until next use.

# 1.3 mm HVLP Gravity Feed Spray Gun



## 1.3 mm HVLP Gravity Feed Spray Gun Exploded View & Parts List

Ref #	Part Number	Description	Qty
1	6900-1	Air Cap Ring	1
2	6900-2	Air Cap Retainer Ring	1
3	6900-3	Air Cap Seal	1
4	6900-4	Air Cap	1
5	6900-5	Teflon Seal	1
6	6900-6	Nozzle(1.3mm)	1
7	6900-7	Fluid Needle Seat	1
8	6900-8	Brass Washer	1
9	6900-9	Plug	1
10	6900-10	Gun Body	1
11	6900-11	Fluid Adj. Bushing	1
12	6900-12	Fluid Adj. Seal	1
13	6900-13	Spring	1
14	6900-14	Fluid Adj. Bushing	1
15	6900-15	Fluid Adj. Needle 1.3mm	1
16	6900-16	Fluid Adj. Spring	1
17	6900-17	Fluid Adj. Nut	1
18	6900-18	Fluid Adj. Knob	1
19	6900-19	Air Adj. Valve	1
20	6900-20	O Ring	2
21	6900-21	Air Adj. Spring	1
22	6900-22	Air Valve Bushing	1
23	6900-23	Air Valve Needle	1

Ref #	Part Number	Description	Qty.
24	6900-24	Air Valve Packing	1
25	6900-25	Spring	1
26	6900-26	Plug	1
27	6900-27	Hex Screw	1
28	6900-28	Retainer Ring	3
29	6900-29	O Ring	1
30	6900-30	Pattern Adj. Nut	1
31	6900-31	Pattern Adj. Valve	1
32	6900-32	Pattern Adj. Seal	1
33	6900-33	Pattern Adj. Knob	1
34	6900-34	M4 Screw	1
35	6900-35	Air Inlet Socket	1
36	6900-36	Air Inlet Seal	1
37	6900-37	O Ring	1
38	6900-38	Gasket	1
39	6900-39	Air Inlet Bushing	1
40	6900-40	Spring	1
41	6900-41	Air Inlet Fitting	1
42	6900-42	Trigger Pin	1
43	6900-43	Trigger Pin	1
44	6900-44	Trigger Lever	1
45	6900-45	Gen 1 Quick Twist-Lock Spray Cup Adapter	1
•	6900-KIT	Tune Up Kit for 6900 Spray Gun	1

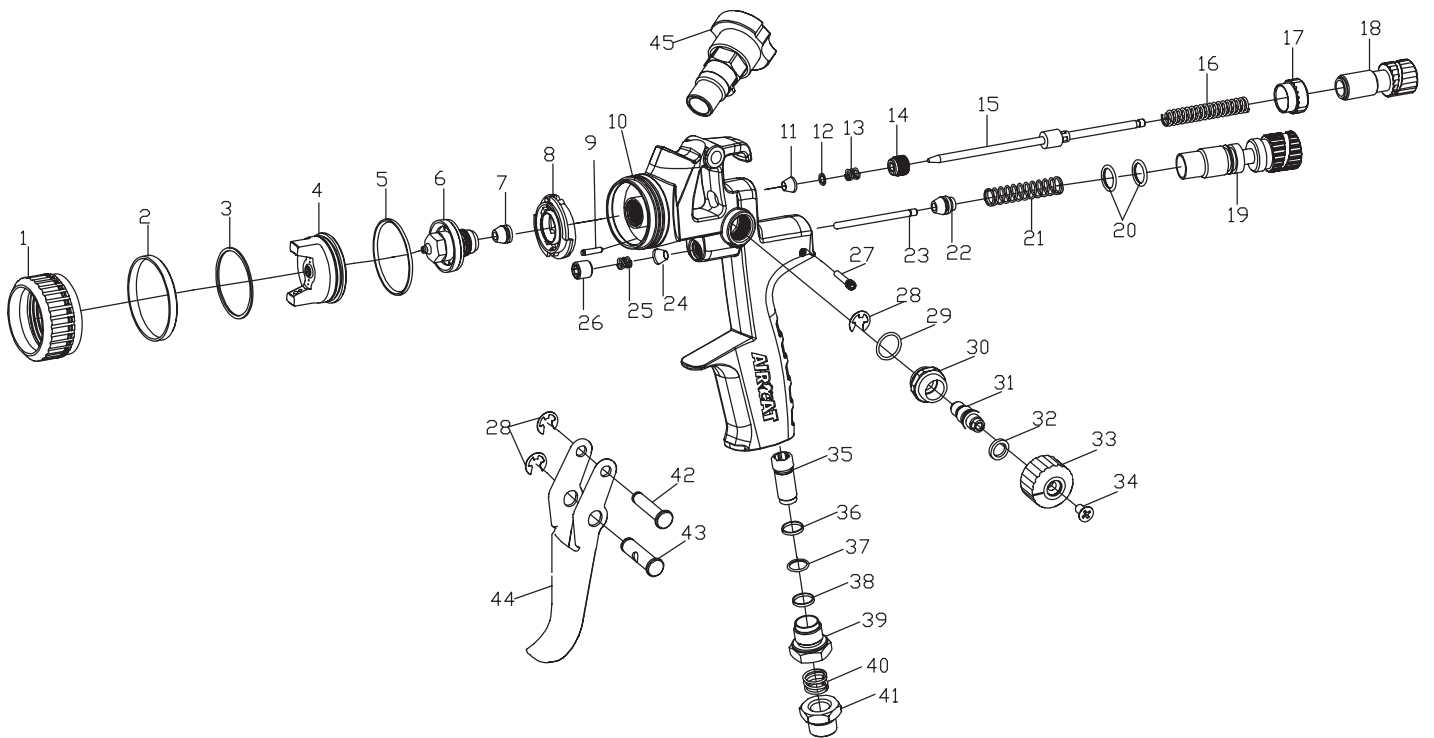
**• Tune Up Kit - 6900-KIT**

**Includes Part #s 1, 5, 7, 12, 13, 14, 16**

### Optional Spray Gun Nozzle Kits

Part Number	Description
AC1.3MM KIT	Includes Air Cap, Nozzle (1.3mm), Fluid Adj. Needle (1.3mm)
AC1.4MM KIT	Includes Air Cap, Nozzle (1.4mm), Fluid Adj. Needle (1.4mm)
AC1.6MM KIT	Includes Air Cap, Nozzle (1.6mm), Fluid Adj. Needle (1.6mm)
AC1.7MM KIT	Includes Air Cap, Nozzle (1.7mm), Fluid Adj. Needle (1.7mm)

# 1.6 mm HVLP Gravity Feed Spray Gun



## 1.6 mm HVLP Gravity Feed Spray Gun Exploded View & Parts List

Ref #	Part Number	Description	Qty
1	6900-1	Air Cap Ring	1
2	6900-2	Air Cap Retainer Ring	1
3	6900-3	Air Cap Seal	1
4	6905-4	Air Cap	1
5	6900-5	Teflon Seal	1
6	6905-6	Nozzle(1.6mm)	1
7	6900-7	Fluid Needle Seat	1
8	6900-8	Brass Washer	1
9	6900-9	Plug	1
10	6900-10	Gun Body	1
11	6900-11	Fluid Adj. Bushing	1
12	6900-12	Fluid Adj. Seal	1
13	6900-13	Spring	1
14	6900-14	Fluid Adj. Bushing	1
15	6905-15	Fluid Adj. Needle 1.6mm	1
16	6900-16	Fluid Adj. Spring	1
17	6900-17	Fluid Adj. Nut	1
18	6900-18	Fluid Adj. Knob	1
19	6900-19	Air Adj. Valve	1
20	6900-20	O Ring	2
21	6900-21	Air Adj. Spring	1
22	6900-22	Air Valve Bushing	1
23	6900-23	Air Valve Needle	1

Ref #	Part Number	Description	Qty
24	6900-24	Air Valve Packing	1
25	6900-25	Spring	1
26	6900-26	Plug	1
27	6900-27	Hex Screw	1
28	6900-28	Retainer Ring	3
29	6900-29	O Ring	1
30	6900-30	Pattern Adj. Nut	1
31	6900-31	Pattern Adj. Valve	1
32	6900-32	Pattern Adj. Seal	1
33	6900-33	Pattern Adj. Knob	1
34	6900-34	M4 Screw	1
35	6900-35	Air Inlet Socket	1
36	6900-36	Air Inlet Seal	1
37	6900-37	O Ring	1
38	6900-38	Gasket	1
39	6900-39	Air Inlet Bushing	1
40	6900-40	Spring	1
41	6900-41	Air Inlet Fitting	1
42	6900-42	Trigger Pin	1
43	6900-43	Trigger Pin	1
44	6900-44	Trigger Lever	1
45	6900-45	Gen 1 Quick Twist-Lock Spray Cup Adapter	1
•	6905-KIT	Tune Up Kit for 6905 Spray Gun	1

**• Tune Up Kit - 6905-KIT**

Includes Part #s 1, 5, 7, 12, 13, 14, 16

### Optional Spray Gun Nozzle Kits

Part Number	Description
AC1.3MM KIT	Includes Air Cap, Nozzle (1.3mm), Fluid Adjustment Needle (1.3mm)
AC1.4MM KIT	Includes Air Cap, Nozzle (1.4mm), Fluid Adjustment Needle (1.4mm)
AC1.6MM KIT	Includes Air Cap, Nozzle (1.6mm), Fluid Adjustment Needle (1.6mm)
AC1.7MM KIT	Includes Air Cap, Nozzle (1.7mm), Fluid Adjustment Needle (1.7mm)

## Maintenance

Other factors outside the tool may cause loss of power or erratic action. Reduced compressor output, excessive drain on the air line, moisture or restriction in air pipes or the use of hose connections of improper size or poor condition may reduce air supply.

---

## LIMITED WARRANTY

Florida Pneumatic Manufacturing Company ("Florida Pneumatic") warrants that its AIRCAT and NITROCAT air tools will be free from defects in material and workmanship for a period of two years from the date of original purchase, except for our AIRCAT VIBROTHERM DRIVE air tools that are warrantied to be free from defects in material and workmanship for 3 years from the original date of purchase (the "Warranty Period").

Because Florida Pneumatic cannot control the quality of tools sold by unauthorized sellers, this warranty applies only to tools that were purchased from Florida Pneumatic or a Florida Pneumatic authorized seller in the United States, unless otherwise prohibited by law. Florida Pneumatic reserves the right to reject warranty claims from purchasers for tools purchased from unauthorized sellers, including unauthorized internet sites. This warranty does not cover any defects due to normal wear and tear, damage due to misuse, alteration to the product, negligence, or damage due to repair by anyone other than Florida Pneumatic or its authorized service centers. This warranty applies to the tool only. This warranty does not apply to any attached accessories/consumable products, such as drill chucks, sander backing pads, air hammer retainers and chisels, "kit" accessories, or any other accessory included with the tool. This warranty is also limited to the original, end-user purchaser.

If you wish to make a warranty claim based upon a product defect, please return the tool at issue to Florida Pneumatic or a Florida Pneumatic Authorized Service Center freight prepaid and include your name, address, phone number, a copy of your receipt or other proof of purchase showing the original date of purchase, and a description of the suspected defect.



### AUTHORIZED SERVICE CENTERS

Florida Pneumatic will repair or replace, in its discretion, a defective product or product part(s) covered by this warranty. You must submit your warranty claim within the applicable Warranty Period.

It is Florida Pneumatic's policy to continue to improve our products, and Florida Pneumatic reserves the right to make changes in design or construction of its products at any time without incurring any obligation with respect to products previously sold.

There are no warranties which extend beyond those stated herein. Any implied warranties that may be applicable to the tools, including implied warranties of merchantability or fitness for a particular purpose, are limited in duration to the duration of this warranty. Some States do not allow limitations on how long an implied warranty lasts, so the above limitation may not apply to you. Under no circumstances shall Florida Pneumatic be liable for any special, incidental, or consequential damages based upon breach of this warranty, breach of contract or strict liability. Some States do not allow the exclusion or limitation of incidental or consequential damages, so the above limitation or exclusion may not apply to you. This warranty gives you specific legal rights, and you may also have other rights which vary from State to State.

If you have any questions about whether a seller is authorized, call us at (800) 356-3392 or email [authorizedseller@florida-pneumatic.com](mailto:authorizedseller@florida-pneumatic.com).



**AIRCAT**  
PNEUMATIC TOOLS  
**NITROCAT**

1660 Silver Beach Road, Suite 100  
Lake Park, FL 33403  
[www.aircattools.com](http://www.aircattools.com)

Toll Free: 888-424-7228 | Fax: 561-575-9134



**VIBROTHERM**  
by AIRCAT DRIVE  
**IMPACT WRENCHES**