

Operating Instructions, Parts List & Warranty

IMPORTANT! Read carefully before operating this tool.

Failure to operate any power tool properly can result in personal injury and/or property damage!



7.2.2.3 GENERAL SAFETY RULES

- Multiple hazards. Read and understand the safety instructions before installing, operating, repairing, maintaining, changing accessories on, or working near the power tool. Failure to do so can result in serious bodily injury.
- Only qualified and trained operators should install, adjust or use the power tool.
- Do not modify this power tool. Modifications may reduce the effectiveness of safety measures and increase the risks to the operator.
- Do not discard the safety instructions – give them to the operator.
- Do not use a tool if the tool has been damaged.
- Warnings shall be given against the risk of explosion or fire due to the material being processed.
- Warnings shall be given against the risk of cutting.



7.2.2.4 PROJECTILE HAZARDS

- Failure of the work piece, of accessories, or even of the tool itself may generate high velocity projectiles.
- Always wear impact-resistant eye protection during operation of the tool. The grade of protection required should be assessed for each use.



7.2.2.5 ENTANGLEMENT HAZARDS

- Entanglement hazard – choking, scalping and/or lacerations can occur if neck ware, hair or gloves are not kept away from tool and accessories.

7.2.2.6 OPERATING HAZARDS

- Use of the tool may expose the operator's hands to hazards including crushing, impacts, cuts and abrasions and heat. Wear suitable gloves to protect hands.
- Operators and maintenance personnel must be physically able to handle the bulk, weight and power of the tool.
- Hold the tool correctly: be ready to counteract normal or sudden movements – have both hands available.
- Maintain a balanced body position and secure footing.
- Keep hands away from rotating or reciprocation accessories, spindles or other moving parts.
- Release the start and stop device in the case of an interruption of the energy supply
- Use only lubricants recommended by the manufacturer.



7.2.2.7 REPETITIVE MOTIONS HAZARDS

- When using a power tool, you may experience discomfort in your hands, arms, shoulders, neck, or other parts of your body.
- While using a power tool, position your body in a comfortable posture. Maintain secure footing and avoid awkward or off-balanced postures. Changing your posture during extended tasks may help avoid discomfort and fatigue.
- If you experience symptoms such as persistent or recurring discomfort, pain, throbbing, aching, tingling, numbness, burning sensation, or stiffness, do not ignore these warning signs. Promptly tell your employer and consult a qualified health professional.

7.2.2.8 ACCESSORY HAZARDS

- Only use sizes and types of accessories and consumables that are recommended by the power tool manufacturer.



7.2.2.9 WORKPLACE HAZARDS

- Slips, trips and falls are major causes of workplace injury. Be aware of slippery surfaces caused by use of the tool and also of trip hazards caused by the air line or hydraulic hose.
- Proceed with care in unfamiliar surroundings. Hidden hazards may exist, such as electricity or other utility lines.
- This power tool is not intended for use in potentially explosive atmospheres and is not insulated from coming into contact with electric power.
- Make sure there are no electrical cables, gas pipes etc. that could cause a hazard if damaged by use of the tool.



7.2.2.10 DUST AND FUME HAZARDS

- Dust from some work processes can cause cancer, birth defects or other respiratory diseases. Risk assessment of these hazards and implementation of appropriate controls is essential.

- Dusts and fumes generated when using power tools can cause ill health (for example: cancer, birth defects, asthma and/or dermatitis); risk assessment of these hazards and implementation of appropriate controls of is essential.
- Risk assessment should include dust created by the use of the tool and the potential for disturbing existing dust.
- Operate and maintain the power tool as recommended in these instructions, to minimize dust or fume emissions
- Where dusts or fumes are created, the priority shall be to control them at the point of emission.
- All integral features or accessories for the collection, extraction or suppression of airborne dust or fumes should be correctly used and maintained in accordance with the manufacturer's instructions.
- Select, maintain and replace the consumable/inserted tool as recommended in these instructions, to prevent an unnecessary increase in dust or fumes.
- Use respiratory protection as instructed by your employer or as required by occupational health and safety regulations;



7.2.2.11 NOISE HAZARDS

- Unprotected exposure to high noise levels can cause permanent, disabling, hearing loss and other problems such as tinnitus (ringing, buzzing, whistling or humming in the ears).
- Risk assessment of these hazards and implementation of appropriate controls of is essential.
- Appropriate controls to reduce the risk may include actions such as damping materials to prevent work pieces from 'ringing'
- Use hearing protection as instructed by your employer or as required by occupational health and safety regulations;
- Operate and maintain the power tool as recommended in these instructions, to prevent an unnecessary increase in noise levels;
- Select, maintain and replace the consumable/inserted tool as recommended in these instructions, to prevent an unnecessary increase in noise.



7.2.2.12 VIBRATION HAZARDS

- Exposure to vibration can cause disabling damage to the nerves and blood supply of the hands and arms;
- Wear warm clothing when working in cold conditions and keep your hands warm and dry.
- If you experience numbness, tingling, pain or whitening of the skin in your fingers or hands, stop using the power tool, and tell your employer. You should also seek medical advice from a qualified occupational health professional.
- Operate and maintain the power tool as recommended in these instructions, to prevent an unnecessary increase in vibration;
- Select, maintain and replace the consumable/inserted tool as recommended in these instructions, to prevent an unnecessary increase in vibration levels;
- Support the weight of the tool in a stand, tensioner or balancer, because the operator can then use a lighter grip to support the tool.
- Hold the tool with a light but safe grip taking account of the required hand reaction forces, because the risk from vibration is generally greater when the grip force is higher.

Important Warnings - Sanders & Polishers

- 1. Eye protection, safety gloves and safety aprons must always be worn when operating a sander or polisher.
- 2. Never adjust the sander or polisher or change the backing pad, sanding disc, sanding belt or polishing bonnet unless the electric supply is disconnected from the tool.
- 3. Only use backing pads and polishing backing pads that have a rated speed then same as the sander or polisher or higher.
- 4. Never attempt to modify or adapt a sander or polisher for use with a grinding wheel or cut-off wheel or wire brush.
- 5. Only personnel trained in the correct methods to change pads, sanding discs, sanding belts and polishing bonnets should conduct these operations.

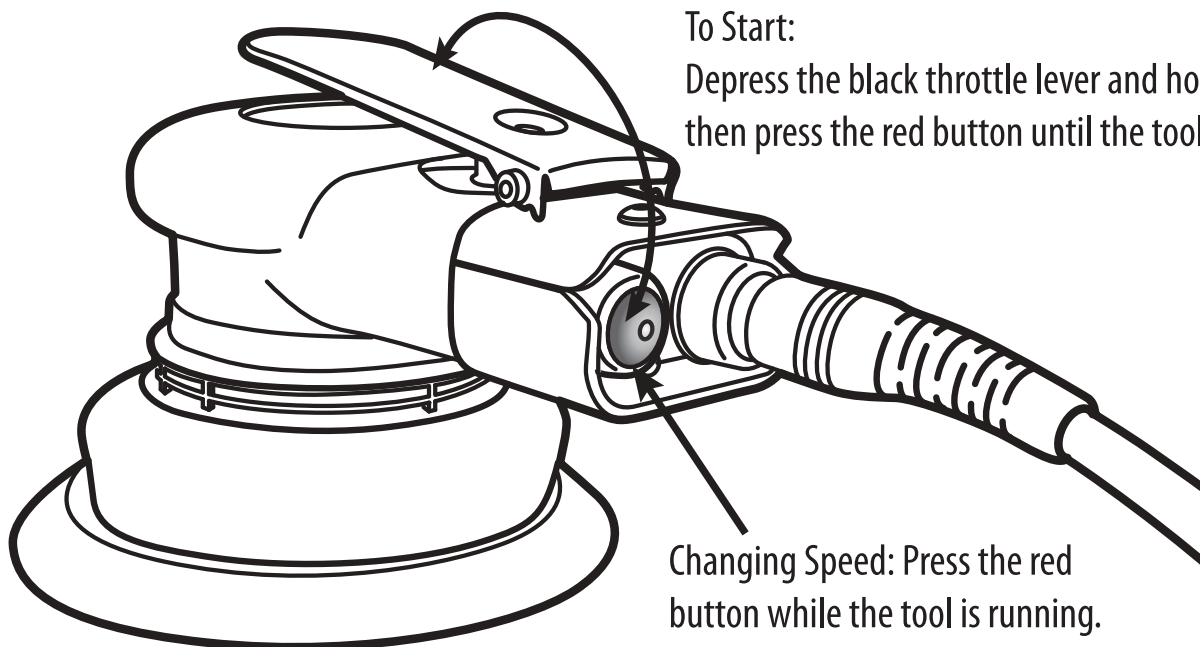
WARNING: This product contains lead, a chemical known to the State of California to cause cancer and birth defects or other reproductive harm. **Wash hands after handling**

WARNING: This product contains chemicals known to the State of California to cause cancer and birth defects or other reproductive harm. **Wash hands after handling.**

SPECIFICATIONS

Model No.	Speed Settings (RPM)	Spindle Thread (in)	Pad Size (in)	Orbit (in)	Weight (lbs.)	Length (in)	Noise Level	Vibration Level	Cable Length (ft)
6700-DCE-6	10,000 - 7,000 - 4,000	5/16 x 24	6	3/16	1.98	7.0	70 dBa	0.5 m/sec ²	20
6700-DCE-5	10,000 - 7,000 - 4,000	5/16 x 24	5	3/16	1.98	8.9	70 dBa	0.5 m/sec ²	20

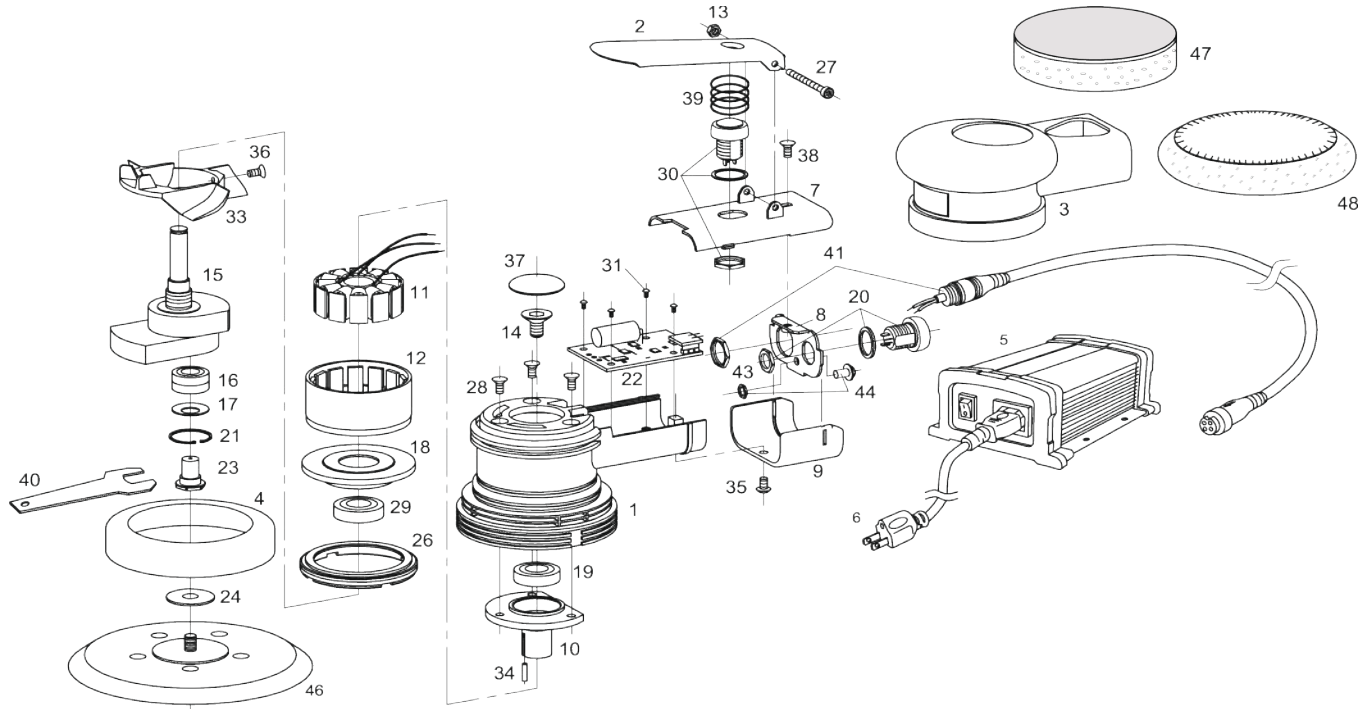
OPERATING INSTRUCTIONS



To Start:
Depress the black throttle lever and hold in position,
then press the red button until the tool starts

Changing Speed: Press the red
button while the tool is running.

Exploded View & Parts List

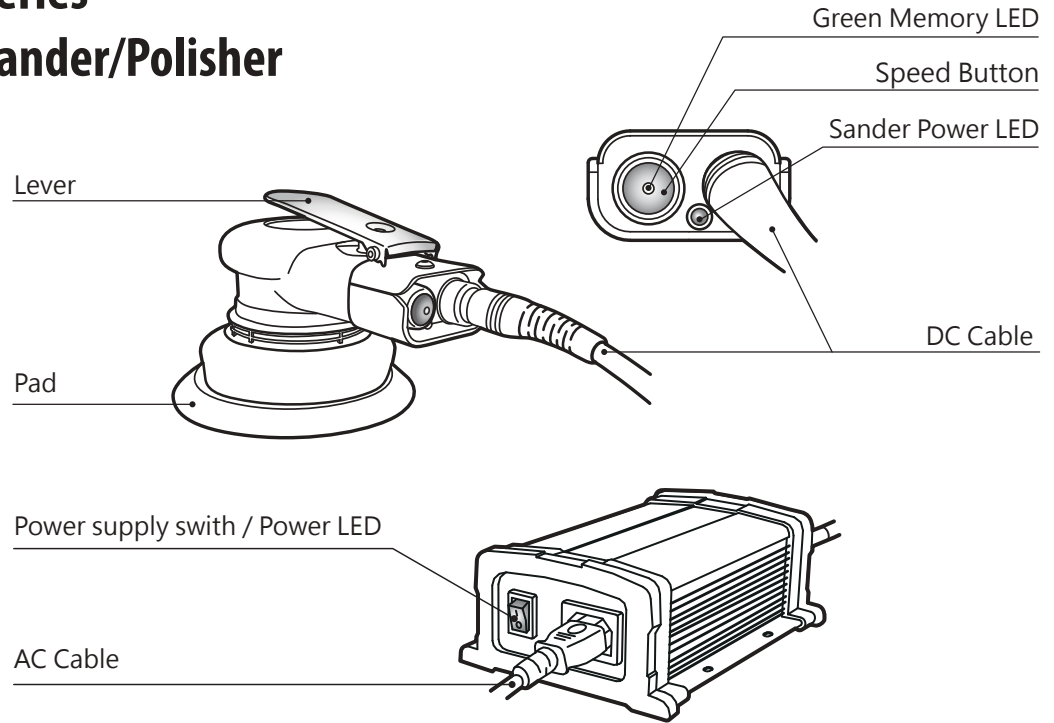


Ref #	Part Number	Description	Qty
1	952001TW	Housing	1
2	952002	Lever	1
3	952003	Rubber Cover	1
4	952004	Shroud	1
5	952005	Power Supply	1
6	9520051	Power Cord	1
7	952066	Upper Cover	1
8	952065	End Plated	1
9	952063	U Plate	1
10	952017T	Upper Plate	1
11	952011T17	Stator	1
12	9520120	Rotor	1
13	9HNM3	Nut M3	1
14	970512	Screw	1
15	952056J	Orbit Shaft Balancer (6"Pad)	1
	952055J	Orbit Shaft Balancer (5"Pad)	1
16	9B6001LU	Bearing	2
17	956014	Washer	1
18	952018	Low Plate	1
19	952019	Bearing B608	1
20	952020	Button (Red)	1
21	956028	Snap Ring	1
22	952022	PCB Controller	1
23	956019	Balance Shaft	1

Ref #	Part Number	Description	Qty.
24	970588	Washer	1
26	952026	Lock Ring	1
27	9HSM3X35	Screw	1
28	9HFSM4X8	Screw	3
29	952029	Bearing	1
30	952030	Button (Green)	1
31	9FSM2.5X4	Screw	4
33	952064	Fan	1
34	9RP2X10	Pin	1
35	9HFSM3X10	Screw	1
36	9HFSM3X6	Screw	1
37	9520262	Cap	1
38	9RSM4X6	Screw	1
39	952039	Spring	1
40	956024	Wrench	1
41	9520056	Female Connector Cable Ass'y (20')	1
43	9R13X15	O Ring	1
44	952044	LED	1
46	96AC	6" F.R.P Hook Face Pad	1
	96PC	6" F.R.P Vinyl Face Pad	1
	95AC	5" F.R.P Hook Face Pad	1
	95PC	5" F.R.P Vinyl Face Pad	1
47	9576CPS	6"Compounding Pad (Soft)	1
48	95736BN	6"Lambswool Bonnet	1

MODEL: 6700-DCE Series

5" & 6" DC Electric Sander/Polisher



AIRCAT WARRANTY

AIRCAT and NITROCAT air tools are warranted to be free from defects in material and workmanship for 2 years from date of purchase. We will repair or replace; at our option any defective part or unit which proves to be defective in material or workmanship during this 2 year period. The foregoing obligation is AIRCAT and Florida Pneumatic's sole liability under this or any implied warranty, under no circumstances shall it be liable for any incidental or consequential damages.

This warranty applies to the tool only. The warranty does not apply to any attached accessories/consumable products; such as drill chucks, sander backing pads, air hammer retainers and chisels or "kit" accessories or any other accessory included with the tool.

Any repair required due to normal wear and tear, abuse, misuse, modification of the tool or repair attempts (by other than an AIRCAT or Florida Pneumatic Authorized Service Center) are not covered by this warranty.

Return your tool to an AIRCAT or Florida Pneumatic Authorized Service Center freight prepaid. Be sure to include your name, address, copy of purchase with date and description of the suspected defect.

AIRCAT whose policy is continued product improvement reserves the right to make changes in design or construction at any time without incurring any obligation on tools previously sold.

Tune-Up and Head Kits for all AIRCAT PNEUMATIC impact wrenches and ratchets are available.

SERVICE CENTER LISTINGS ENCLOSED



AIRCAT USA

a Division of Florida Pneumatic Manufacturing Corporation
1660 Silver Beach Rd Suite 100 | Lake Park, FL 33403
Toll Free (888) 424-7228 | Fax (561) 575-9134
www.aircat.com sales@aircat.com

AIRCAT Europe
A Division of Universal Air Tool Company Limited
Unit 7 Millfield Business Park, Banbury Lane, Pattishall,
Towcester, Northamptonshire NN12 8FB, UK
Ph: 01494 883300 / Fax: 01494 883237
enquiries@ut-tools.com www.universal.co.uk