

Notice

90% of all Air Tool problems are caused by moisture in air lines

This problem can be avoided by using Air Tool Lubricant see "Lubrication" & "Air Supply" sections of this manual)

FAILURE TO OIL can void your warranty

2 YEAR LIMITED WARRANTY

and NITTOCAT ® air tools are warranted to be free from defects in materialmanship for 2 years from date of purchase. We will repair or replace; at ourly defective part or unit which proves to be defective in material or shiping during this 2 year period. going obligation is AIRCAT and Florida Pneumatics' sole liability under this or led warranty, under no circumstances shall it be liable for any incidental or ntial damages.

ranty applies to the tool only. The warranty does not apply to any attached les/consumable products; such as drill chucks, sander backing pads, air retainers and chisels or "kit" accessories or any other accessory included tool.

ir required due to normal wear and tear, abuse, misuse, modification of the pair attempts (by other than an AIRCAT or Florida Pneumatic Authorized enter) are not covered by this warranty.

our tool to an AIRCAT or Florida Pneumatic Authorized Service Center' freight Be sure to include your name, address, copy of purchase with date and on of the suspected defect.

osed list for your nearest Warranty Repair Center.

G: This product contains lead, a chemical known to the State of California to ncer and birth defects or other reproductive harm. Wash hands after 1.

G: This product contains chemicals known to the State of California to cause nd birth defects or other reproductive harm.

G: **BE SURE** to read, understand and follow all warnings, safety rules, ons and labels in the operator's manual and on the product itself before using luct.

o do so can result in serious personal injury.

AIRCAT® PNEUMATIC TOOLS

Inside Corner Die Grinder
Model # 6275 /Composite

Operating Instructions, Parts List,
Warranty, & Warranty Repair Centers

IMPORTANT! Read carefully before operating this tool. Failure to operate any power tool properly can result in personal injury and/or property damage!

SPECIFICATIONS

Sound.....	90DBA	Free Speed(RPM).....	15,000
Air Flow Pressure(Psi).....	90	Avg.Air Consump.(cfm).....	9.0
Hose Size(ID).....	3/8"	Shipping Wt.(LBS).....	3.7
Air Inlet(NPT).....	1/4"		

Safety

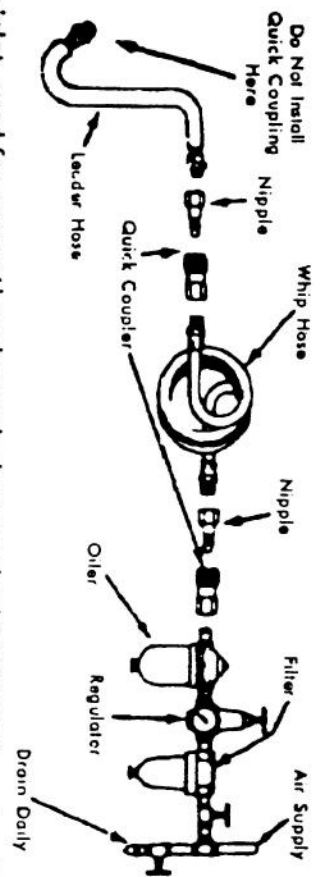
1. Read all instructions before operating your tool
2. Always wear protective eye gear. Use a dust mask if the operation creates dust.
3. Wear gloves and protective clothing to avoid injuries caused by malfunctioning attachments or improperly clamped work.
4. Never use the tool over 90 psi, its free speed will increase in proportion to any increase in air pressure above 90 psi.
5. **USE ONLY 4" disc ON THIS TOOL.**
6. **DISCONNECT TOOL FROM AIR SUPPLY BEFORE CHANGING ANY ACCESSORY ON THIS TOOL.** Do not perform service work on tool while connected to air supply.
7. If a sudden change occurs in the feel or sound of the unit, the tool should be immediately turned off and head inspected for damage.
8. Handle the tool safely. Do not carry the tool with a finger on or near the throttle or trigger while the tool is connected to the air supply. Do not carry the tool by the hose. Protect the hose from sharp objects and heat.
9. When not in use, disconnect tool from air supply to prevent accidental or unauthorized use.
10. Always use tool a safe distance from other people in work area.
11. Do not attempt to alter any part of this tool in any way, shape or form.

Lubrication

Lubricate daily with good grade of air tool oil. Lubricate motor before using. In in-line lubricator is not used, add a few drops of oil into air inlet daily. Do not flood this tool with oil. **GREASE HEAD GEARS DAILY.**

Air Supply

Tools of this class operate on a wide range of air pressure. It is recommended that air pressure of these tools measures 90 PSI at the tool while running free. Higher pressure and unclean air will shorten the tool's life because of faster wear and may create a hazardous condition and void the warranty. Water in the air line will cause damage to the tool. Drain the air tank daily. Clean the air inlet filter screen on at least a weekly schedule. The recommended hookup procedure can be viewed in the illustration below.



The air inlet, used for connecting air supply, has standard 1/4" NPT American Thread. Line pressure should be increased to compensate for unusually long air hoses (over 25 feet). Minimum hose diameter should be 3/8" I.D. and fittings should have the same inside dimensions.

Operating Instructions

1. Read safety instructions first.
2. The tool is started by depressing the throttle, which is spring loaded and when released returns to off position.
3. Always wear protective safety goggles and clothing when operating tool.
4. DO NOT, UNDER ANY CIRCUMSTANCES, REMOVE THE DISC GUARD.
5. Use both hands when operating this tool.
6. Refer to safety instructions when operating this tool.

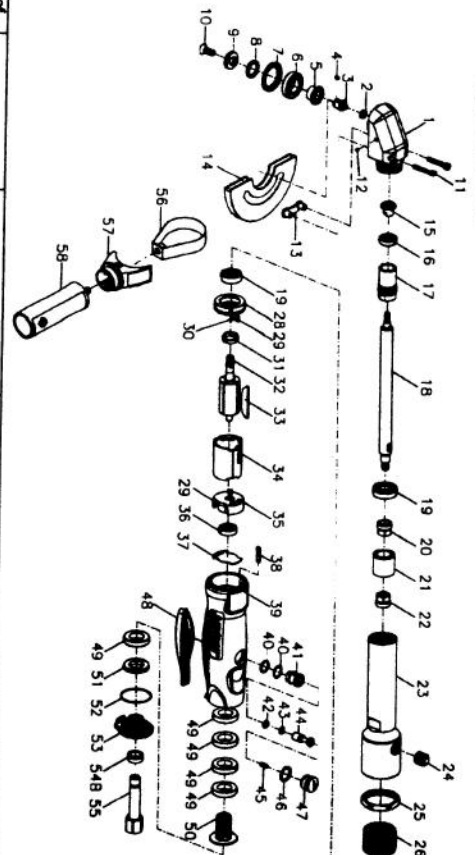
Maintenance

Other factors outside the tool may cause loss of power or erratic action. Reduced compressor output, excessive drain on the air line, moisture or restriction in air pipes or the use of hose connections of improper size or poor condition may reduce air supply. Grit or gum deposits in the tool may cut power and may be corrected by cleaning the air strainer and flushing out the tool with gum solvent oil or an equal mixture of SAE#10 oil and kerosene. If outside conditions are in order and tool is out-of-warranty, disconnect tool from hose, disassemble tool, replace worn or damaged parts, clean, reassemble, and re-lubricate, or take tool to any air tool service center. For tools in warranty period, send tool direct to Warranty Center. You must send in your warranty card for warranty service.

AIRCAT[®]

PNEUMATIC TOOLS

Inside Corner Die Grinder
Model # 6275 /Composite



Ref No.	Part No.	Description	Qty	Ref No.	Part No.	Description
1	622F-004	Gear Housing	1	30	00-3328	Spring Pin
2	00-2350	Ball Bearing	1	31	511-006	Spacer
3	622F-010	Drive Shaft	1	32	514-020-B	Rotor
4	622F-009	Key	1	33	216-021	Rotor Blade
5	622F-008	Bevel Gear	1	34	511-022	Cylinder
6	00-2349	Ball Bearing	1	35	218F-023	Rear End Plate
7	622F-007	Ring	1	36	00-2323	Ball Bearing
8	622F-006	Nut	1	37	218F-045	Rear Gasket
9	622F-005	Clamp Nut	1	38	216-037	Seal Lump
10	00-0410	Flat Head Screw	1	39	218F-025	Motor Housing
11	00-0137	Cap Screw	2	40	00-41121	O-Ring
12	SC100-03	Grease Fitting	1	41	218F-026	Bushing
13	622F-011	Guard Guide	1	42	00-41133	O-Ring
14	622F-012	Wheel Guard	1	43	00-41132	O-Ring
15	622F-013	Bevel Gear	1	44	218F-027	Valve Stem
16	00-2339	Ball Bearing	1	45	218F-029	Spring
17	622F-003	Bolt Screw	1	46	00-41134	O-Ring
18	622F-002	Drive Shaft	1	47	218F-030	Valve Plug
19	00-2314	Ball Bearing	2	48	218F-043	Throttle Lever
20	622F-014B	Transfer Nut	1	49	218F-038	Muffler
21	622F-015	Transfer Ring	1	50	218F-039	Muffler Tube
22	622F-014	Transfer Nut	1	51	218F-047	Muffler
23	622F-001	Drive Housing	1	52	00-4159	O-Ring
24	622F-016	Lock Button	1	53	218F-042	Exhaust Deflector
25	622F-017	Lock Ring	1	54B	218F-050	Bushing
26	217-015	Idle Gear Housing	1	55	218F-034C	Air Inlet(1/4" NPT)
27	622F-019	Washer	1	56	766-026	Elastic Collar
28	511-019	Front End Plate	1	57	766-025	Side Handle Frame
29	00-3325	Spring Pin	2	58	766-027	Side Handle