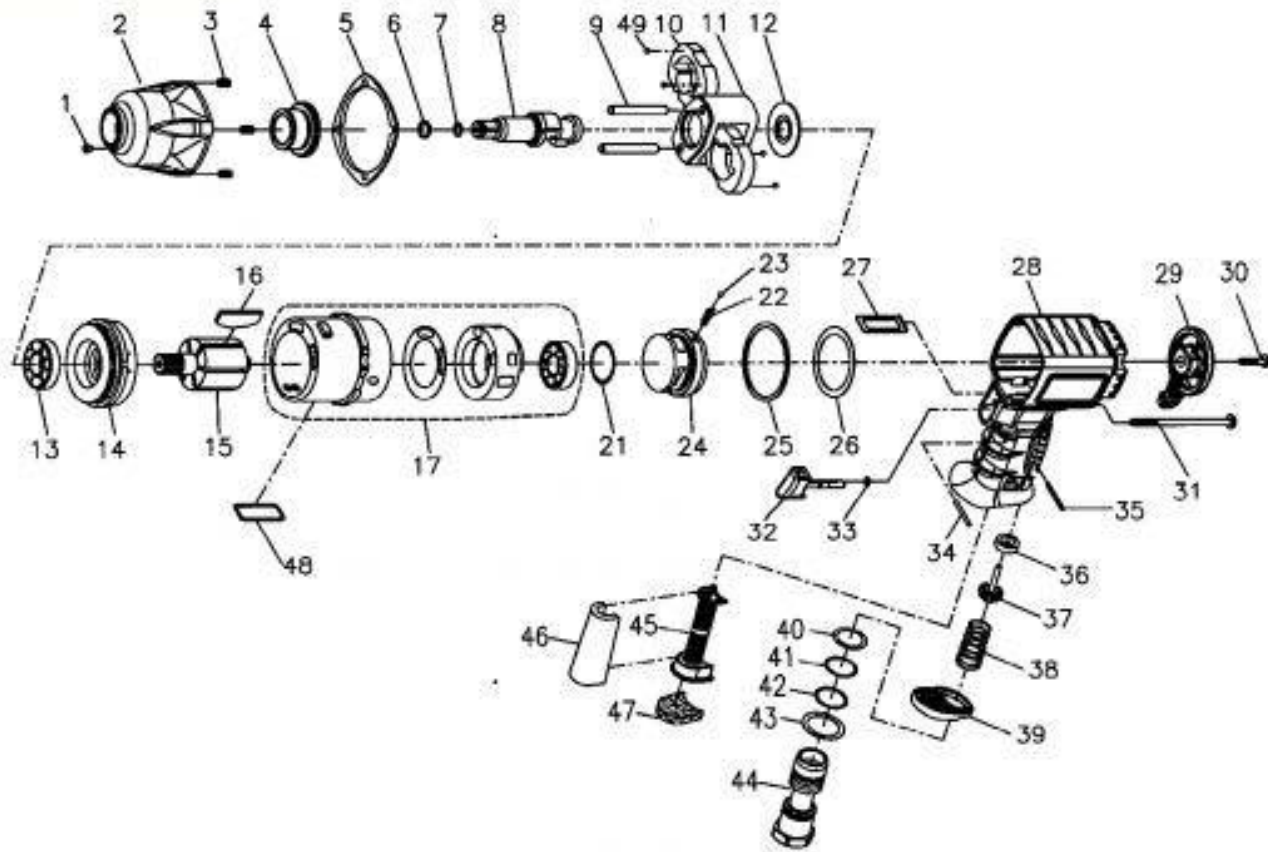


3/8" Composite Impact Wrench, Twin Hammer Model # 1300 -TH Gray / Brush Finish Clutch



Ref. No.	Part No.	Description	Qty	Ref. No.	Part No.	Description	Qty
1	SC100-03	Grease Fitting	1	26	243F-031	Washer	1
2	243J-SH-002B	Hammer Case	1	27	243F-019	Air Channel Gasket	1
3	00-4302	Inserts Recoil	4	28	243L-001AI	Motor Housing	1
4	SC601-03	Anvil Bushing	1	29	243J-022	Regulator Knob	1
5	243H-020	Front Gasket	1	30	00-1303	Cap Screw	1
6	SC601-04	Anvil Collar	1	31	243H-028	Screw	4
7	SC601-05	O-Ring	1	32	243H-024	Trigger	1
8	243F-SH-011NA3	Anvil(3/8" Square)	1	33	SC100-23	O-Ring	1
9	243F-SH-016	Hammer Pin	2	34	00-3346	Spring Pin	1
10	243F-SH-017	Hammer	2	35	SC800-19	Spring Pin	1
11	243F-SH-012	Hammer Cage	1	36	SC200-30	Bushing	1
12	SC601-11	Rear Washer	1	37	SC200-31	Valve Stem	1
13	SC601-16	Ball Bearing	1	38	243H-023	Spring	1
14	243F-005	Front End Plate	1	39	243H-021	Exhaust Deflector	1
15	243F-007	Rotor	1	40	SC100-27	O-Ring	1
16	243F-008D	Rotor Blade	6	41	SC100-28	O-Ring	1
17	243F-006B	Cylinder	1	42	SC100-31	O-Ring	1
	243F-033	Valve Sleeve Gasket	1	43	SC100-29	Washer	1
	243F-029	Valve Sleeve	1	44	SC100-30	Air Inlet (1/4" NPT)	1
	SC601-25	Ball Bearing	1	45	243H-019B	Muffler Tube	1
21	00-4158	O-Ring	1	46	243H-026	Muffler	1
22	305F-034	Spring	1	47	243H-027	Muffler	1
23	SC100-15	Steel Ball	1	48	243F-041	Square Ring	1
24	243J-021	Regulator	1	49	00-3815	Steel Ball	4
25	243F-030	Rear Gasket	1				