



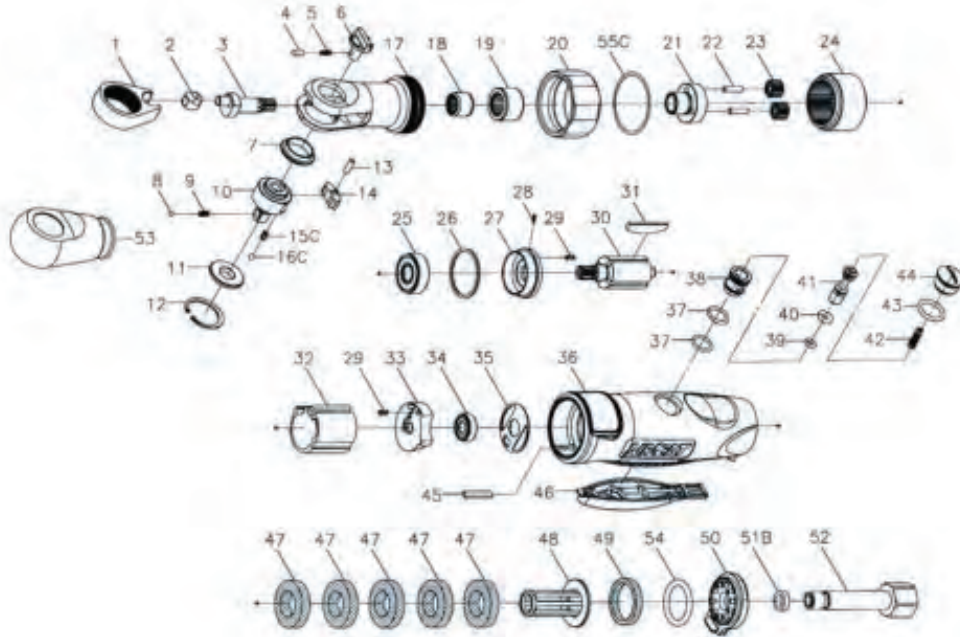
## Ratchet and Impact Tune-Up Kits

<b>Ratchet Head Kits</b>	<b>Part No.</b>
800 .....	AR800-60K
801 .....	AR801-60K
802.....	AR802-60K
805-HT.....	805-38RHK
805-HT-22.....	805-38RHK
805-HT-22-5.....	805-12RHK
805-HT-5.....	805-12RHK
808-15 .....	808-15-ARHY

<b>Ratchet Head Kits</b>	<b>Part No.</b>
808-15-25 .....	808-15-25-ARHK
808-15-25-A .....	808-15-25-ARHK
808-15-A.....	808-15-ARHK
808-22.....	805-38RHK
808-22-A.....	805-38RHK

<b>Impact Wrench Kits</b>	<b>Part No.</b>
1000-TH .....	1000-THPK
1000-TH-2 .....	1000-THPK
1100-TH .....	1000-THPK
1056-XL .....	1056XL-PK
1057-TH .....	1057TH-PK
1058-VXL.....	1058-VXLPK
1059-VXL.....	1059-VXLPK
1076-XL.....	1076XL-PK
1077-TH.....	1077TH-PK
1125.....	1125-PK
1150 .....	1150-PK
1178-VXL.....	1178-VXLPK
1200-K .....	1200-KPK
1250-K.....	1250-KPK
1300-TH.....	1300-THPK
1300-TH-A.....	1300-THPK
1355-XL.....	1355-XLPK
1375-XL .....	1375-XLPK
1431.....	1431-PK
1431-2.....	1431-PK
1600-TH.....	1600-THPK OR 1600-TH-APK
1600-TH-A .....	1600-THPK OR 1600-TH-APK
1680-A.....	1680-A-PK

<b>Impact Wrench Kits</b>	<b>Part No.</b>
1770-XL.....	1770-XL-PK
1777.....	1777-PK
1778-VXL.....	1778-VXLPK
1992 .....	1992-PK
1992-1 .....	1992-PK



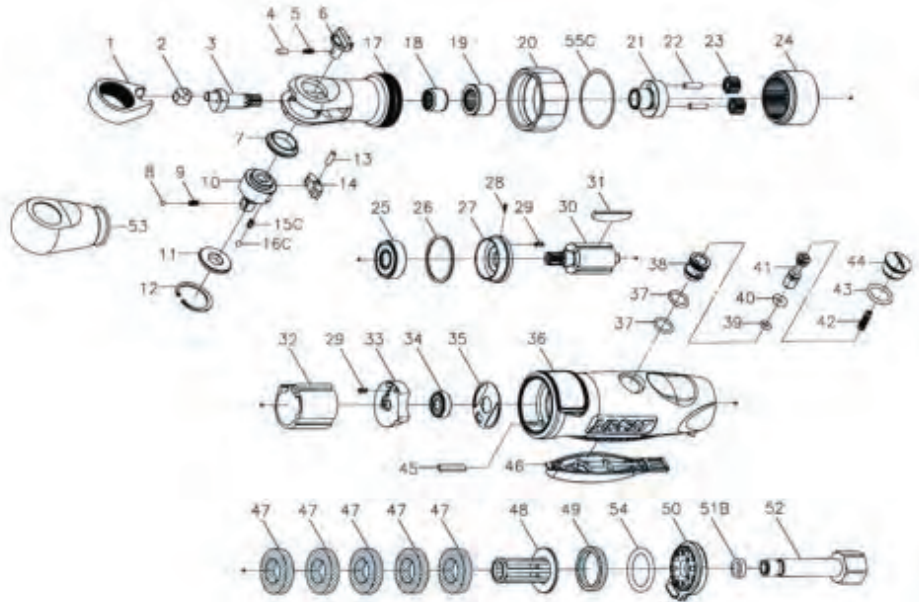
Ref. #	Part No.	Description	Qty
1	222F-009	Ratchet Yoke	1
2	222F-010	Drive Bushing	1
3	222F-011	Crank Shaft	1
4	221-003	Lock Pin	1
5	221-002	Spring	1
6	222F-001	Reverse Knob	1
7	222F-004	Thrust Washer	1
8	00-3816	Steel Ball (1/4")	1
	00-3814	Steel Ball (3/8")	
9	221-008	Spring (1/4")	1
	216-008	Spring (3/8")	
10	222F-006A	Ratchet Anvil (1/4")	1
	222F-006B	Ratchet Anvil (3/8")	
11	222F-032A	Thrust Washer (1/4")	1
	222F-032B	Thrust Washer (1/4")	
12	00-3114	Snap Ring	1
13	00-3435	Pin	1
14	222F-005	Ratchet Pawl	1
15C	222F-007	Spring	2
16C	00-3826	Steel Ball	2
17	222F-013	Ratchet Housing	1
18	00-2407	Needle Bearing	1
19	00-2401	Needle Bearing	1
20	222F-014	Clamp Nut	1
21	222F-016	Idler Gear Plate	1
22	00-3408	Pin	3
23	221-017	Idler Gear	3
24	222F-015	Idler Gear Housing	1
25	00-2332	Ball Bearing	1
26	222F-049	Washer	1

Ref. #	Part No.	Description	Qty
27	221-019	Front End Plate	1
28	00-3334	Spring Pin	1
29	00-3333	Spring Pin	2
30	221-020	Rotor	1
31	221-021	Rotor Blade	4
32	221-022	Cylinder	1
33	221-023	Rear End Plate	1
34	00-2340	Ball Bearing	1
35	222F-045	Rear Gasket	1
36	222F-025	Motor Housing	1
37	00-4167	O-Ring	2
38	222F-026	Bushing	1
39	00-41187	O-Ring	1
40	00-41157	O-Ring	1
41	222F-027	Valve Stem	1
42	222F-029	Spring	1
43	00-4166	O-Ring	1
44	222F-030	Valve Plug	1
45	222F-037	Seal Lump	1
46	222F-043	Throttle Lever	1
47	222F-038	Muffler	5
48	222F-039	Muffler Tube	1
49	222F-047	Muffler	1
50	222F-042	Exhaust Deflector	1
51B	222F-050	Bushing	1
52	222F-034C	Air Inlet	1
53	222F-046	Front Rubber	1
54	00-4173	O-Ring	1
55C	222F-051	Washer	1

**Tune-up Kits**

AR800-60K

Includes Nos. 4, 5, 6, 7, 8, 9, 10, 11, 12, 13, 14, 15(2), 16(2)



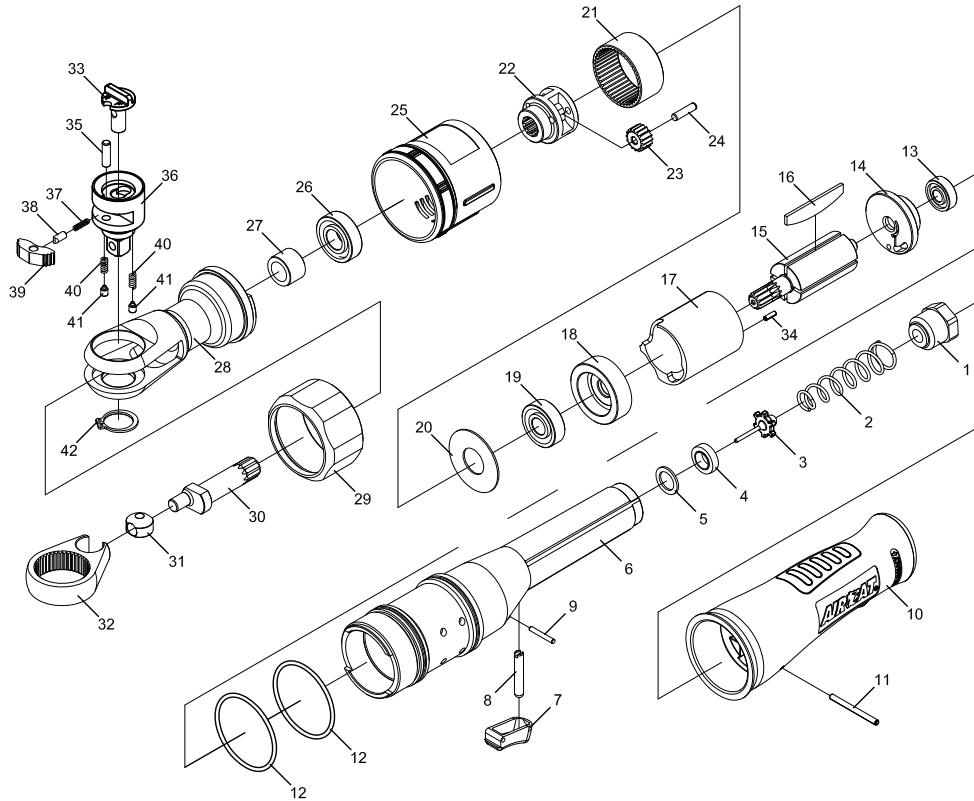
Ref. #	Part No.	Description	Qty
1	222F-009	Ratchet Yoke	1
2	222F-010	Drive Bushing	1
3	222F-011	Crank Shaft	1
4	221-003	Lock Pin	1
5	221-002	Spring	1
6	222F-001	Reverse Knob	1
7	222F-004	Thrust Washer	1
8	00-3816	Steel Ball (1/4")	1
	00-3814	Steel Ball (3/8")	
9	221-008	Spring (1/4")	1
	216-008	Spring (3/8")	
10	222F-006A	Ratchet Anvil (1/4")	1
	222F-006B	Ratchet Anvil (3/8")	
11	222F-032A	Thrust Washer (1/4")	1
	222F-032B	Thrust Washer (1/4")	
12	00-3114	Snap Ring	1
13	00-3435	Pin	1
14	222F-005	Ratchet Pawl	1
15C	222F-007	Spring	2
16C	00-3826	Steel Ball	2
17	222F-013	Ratchet Housing	1
18	00-2407	Needle Bearing	1
19	00-2401	Needle Bearing	1
20	222F-014	Clamp Nut	1
21	222F-016	Idle Gear Plate	1
22	00-3408	Pin	3
23	221-017	Idle Gear	3
24	222F-015	Idle Gear Housing	1
25	00-2332	Ball Bearing	1
26	222F-049	Washer	1

Ref. #	Part No.	Description	Qty
27	221-019	Front End Plate	1
28	00-3334	Spring Pin	1
29	00-3333	Spring Pin	2
30	221-020	Rotor	1
31	221-021	Rotor Blade	4
32	221-022	Cylinder	1
33	221-023	Rear End Plate	1
34	00-2340	Ball Bearing	1
35	222F-045	Rear Gasket	1
36	222F-025	Motor Housing	1
37	00-4167	O-Ring	2
38	222F-026	Bushing	1
39	00-41187	O-Ring	1
40	00-41157	O-Ring	1
41	222F-027	Valve Stem	1
42	222F-029	Spring	1
43	00-4166	O-Ring	1
44	222F-030	Valve Plug	1
45	222F-037	Seal Lump	1
46	222F-043	Throttle Lever	1
47	222F-038	Muffler	5
48	222F-039	Muffler Tube	1
49	222F-047	Muffler	1
50	222F-042	Exhaust Deflector	1
51B	222F-050	Bushing	1
52	222F-034C	Air Inlet	1
53	222F-046	Front Rubber	1
54	00-4173	O-Ring	1
55C	222F-051	Washer	1

**Tune-up Kits**

**AR801-60K**

**Includes: 4, 5, 6, 7, 8, 9, 10, 11, 12, 13, 14, 15(2), 16(2),**



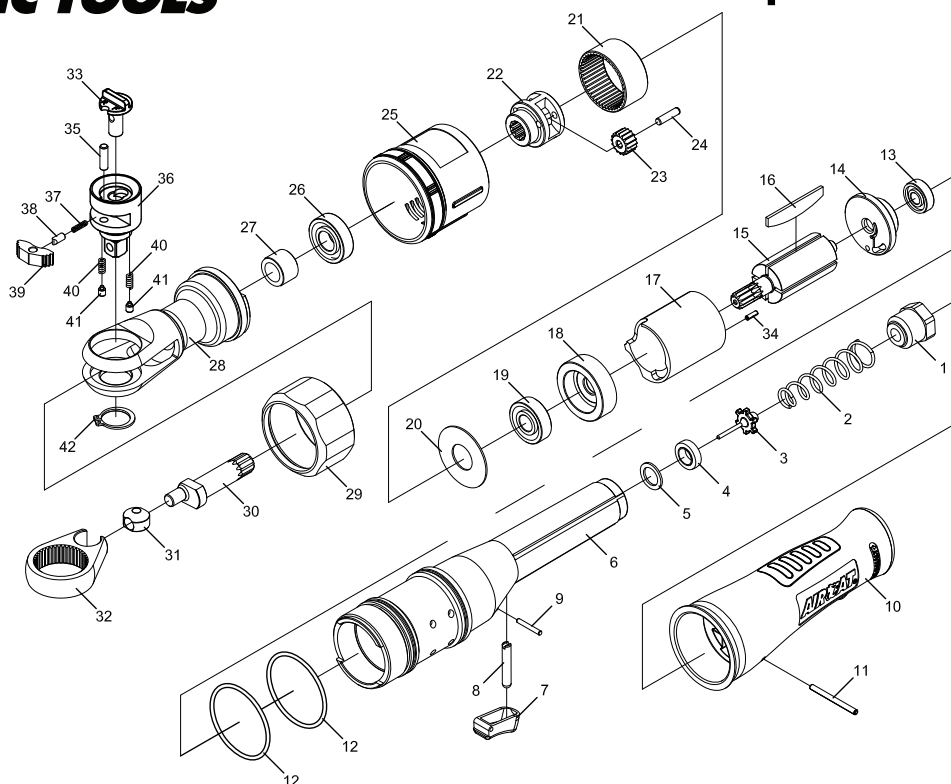
Ref #	Part Number	Description	Qty
1	9863801A	AIR INLET BUSHING	1
2	9328803XP	THROTTLE VALVE SPRING	1
3	9328804C	THROTTLE VALVE	1
4	9328835	THROTTLE VALVE SEAT	1
5	9328825S	SPACER	1
6	9865801	INNER HOUSING	1
7	9865802	TRIGGER	1
8	9865805	VALVE STEM	1
9	9SPP2518	SPRING PIN	1
10	9865806-CAT	HANDLE GRIP AIRCAT	1
11	9SPP0332	SPRING PIN	1
12	90R-4015	O-RING	2
13	9B607ZZ	BALL BEARING	1
14	9865811	REAR END PLATE	1
15	9865818	ROTOR	1
16	9865816	ROTOR BLADE	4
17	9865812	CYLINDER	1
18	9865817	FRONT END PLATE	1
19	9B6000ZZ	BALL BEARING	1
20	9865823	WASHER	1
21	9865824	INTERNAL GEAR	1

Ref #	Part Number	Description	Qty.
22	9865827	GEAR CAGE	1
23	9865825	PLANET GEAR	3
24	9633821	GEAR PIVOT	3
25	9865822-BK	EXHAUST DEFLECTOR	1
26	9B6001ZZ	BALL BEARING	1
27	9B1212	NEEDLE BEARING	1
28	9865830S	RATCHET HOUSING	1
29	9865828	CLAMP NUT	1
30	9865832	CRANK SHAFT	1
31	9863834L	DRIVE BUSHING	1
32	9863835	RATCHET YOKE	1
33	9865836	REVERSE BUTTON	1
34	9SPP2508	SPRING PIN	1
35	9P4516	PAWL PIVOT	1
36	9865838-3	3/8" RATCHET ANVIL	1
37	9863839L	SPRING	1
38	9863840L	SPRING CAP	1
39	9863841	RATCHET PAWL	1
40	9863844	FRICTION SPRING	2
41	9863843L	STEEL POST	2
42	9STW-18	RETAINING RING	1

#### Tune-up Kits

Model 805-HT Part #805-38RHK

Includes Nos. 37, 38, 39, 40, 41, 42, 43(2), 44(2), 45



Ref #	Part Number	Description	Qty
1	9863801A	AIR INLET BUSHING	1
2	9328803XP	THROTTLE VALVE SPRING	1
3	9328804C	THROTTLE VALVE	1
4	9328835	THROTTLE VALVE SEAT	1
5	9328825S	SPACER	1
6	9865801	INNER HOUSING	1
7	9865802	TRIGGER	1
8	9865805	VALVE STEM	1
9	9SPP2518	SPRING PIN	1
10	9865806-CAT	HANDLE GRIP AIRCAT	1
11	9SPP0332	SPRING PIN	1
12	90R-4015	O-RING	2
13	9B607ZZ	BALL BEARING	1
14	9865811	REAR END PLATE	1
15	9865818	ROTOR	1
16	9865816	ROTOR BLADE	4
17	9865812	CYLINDER	1
18	9865817	FRONT END PLATE	1
19	9B6000ZZ	BALL BEARING	1
20	9865823	WASHER	1
21	9865824	INTERNAL GEAR	1

Ref #	Part Number	Description	Qty.
22	9865827	GEAR CAGE	1
23	9865825	PLANET GEAR	3
24	9633821	GEAR PIVOT	3
25	9865822-BK	EXHAUST DEFLECTOR	1
26	9B6001ZZ	BALL BEARING	1
27	9B1212	NEEDLE BEARING	1
28	9865830S	RATCHET HOUSING	1
29	9865828	CLAMP NUT	1
30	9865832	CRANK SHAFT	1
31	9863834L	DRIVE BUSHING	1
32	9863835	RATCHET YOKE	1
33	9865836	REVERSE BUTTON	1
34	9SPP2508	SPRING PIN	1
35	9P4516	PAWL PIVOT	1
36	9865838-4	1/2" RATCHET ANVIL	1
37	9863839L	SPRING	1
38	9863840L	SPRING CAP	1
39	9863841	RATCHET PAWL	1
40	9863844	FRICTION SPRING	2
41	9863843L	STEEL POST	2
42	9STW-18	RETAINING RING	1

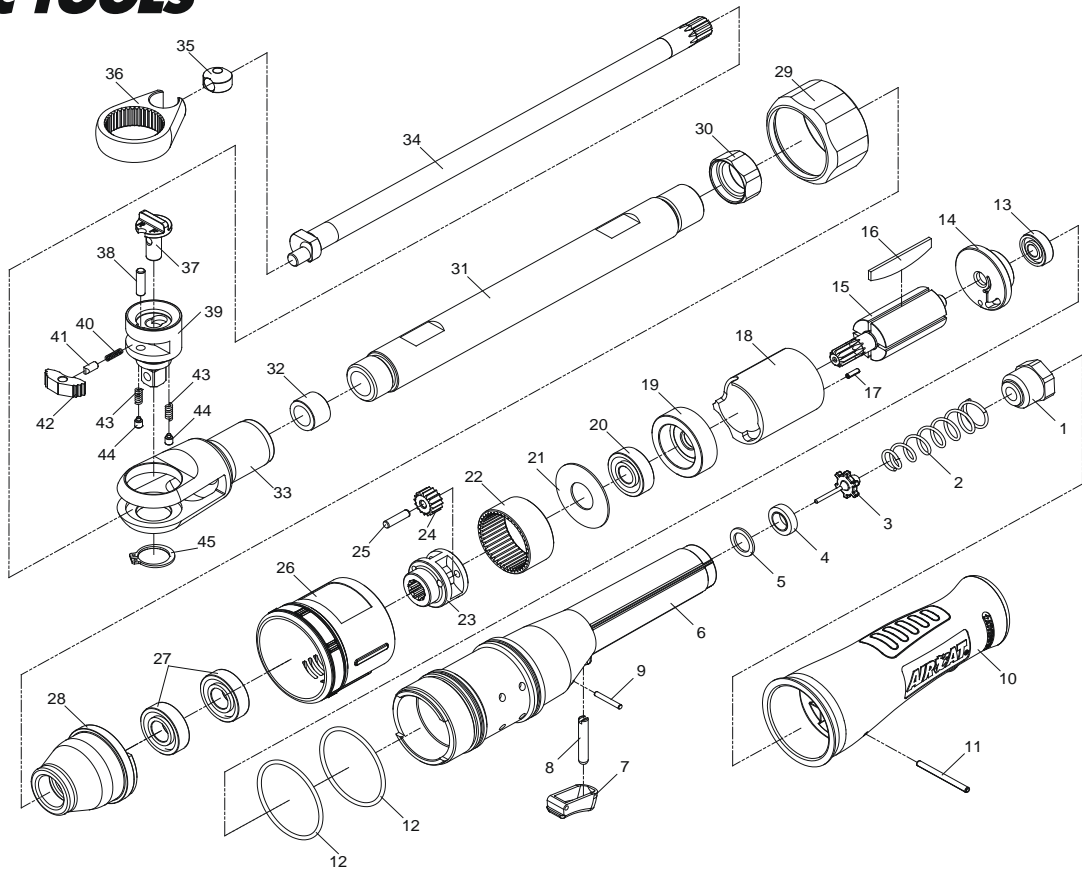
#### Tune-up Kits

805-12RHK

Includes Nos. 37, 38, 39, 40, 41, 42, 43(2), 44(2), 45

## LONG REACH RATCHET WRENCH MODEL: 805-HT-22 3/8"

### Exploded View & Parts List



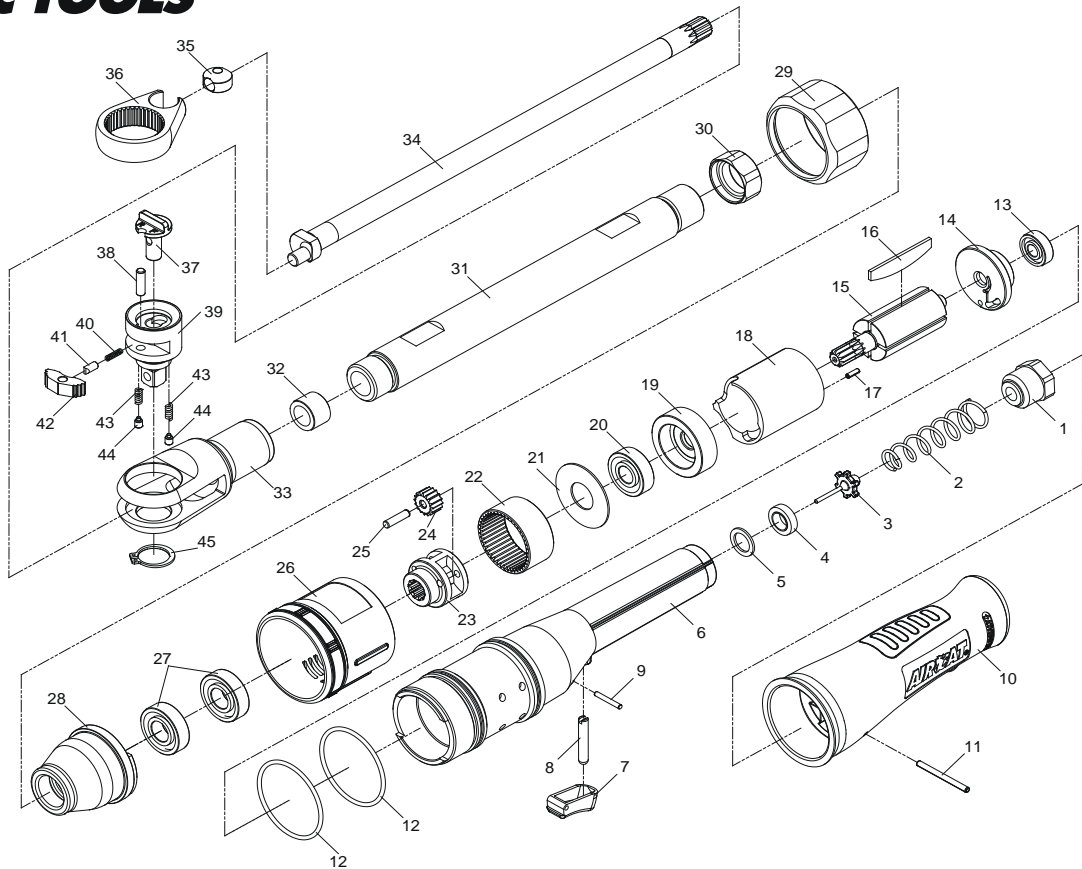
Ref. #	Part No.	Description	Qty.
1	9863801A	AIR INLET BUSHING	1
2	9328803XP	THROTTLE VALVE SPRING	1
3	9328804C	THROTTLE VALVE	1
4	9328835	THROTTLE VALVE SEAT	1
5	9328825S	SPACER	1
6	9865801	INNER HOUSING	1
7	9865802	TRIGGER	1
8	9865805	VALVE STEM	1
9	9SPP2518	SPRING PIN	1
10	9865806-CAT-22	HANDLE GRIP	1
11	9SPP3032	SPRING PIN	1
12	9589054	O-RING	2
13	9B607ZZ	BALL BEARING	1
14	9865811	REAR END PLATE	1
15	9865818	ROTOR	1
16	9865816	ROTOR BLADE	4
17	9389521A	SPRING PIN	1
18	9865812	CYLINDER	1
19	9865817	FRONT END PLATE	1
20	9B6000ZZ	BALL BEARING	1
21	9865823	WASHER	1
22	9865824	INTERNAL GEAR	1
23	9865827	GEAR CAGE	1

Ref. #	Part No.	Description	Qty.
24	9865825	PLANET GEAR	3
25	9633821	GEAR PIVOT	3
26	9865822-BK	EXHAUST DEFLECTOR	1
27	9B6001ZZ	BALL BEARING	2
28	9865854	FRONT HOUSING	1
29	9865828	CLAMP NUT	1
30	9865853	COUPLING NUT	1
31	9865850	CONNECTING ROD 22	1
32	9B1212	NEEDLE BEARING	1
33	9865852S	RATCHET HOUSING	1
34	9865851	CRANK SHAFT 22	1
35	9863834L	DRIVE BUSHING	1
36	9863835	RATCHET YOKE	1
37	9865836	REVERSE BUTTON	1
38	9P4516	PAWL PIVOT	1
39	9865838-3	3/8" RATCHET ANVIL (805-HT-22)	1
	9865838-4	1/2" RATCHET ANVIL (805-HT-22-5)	1
40	9863839L	SPRING	1
41	9863840L	SPRING CAP	1
42	9863841	RATCHET PAWL	1
43	9863844	FRICTION SPRING	2
44	9863843L	STEEL POST	2
45	9STW-18	RETAINING RING	1

#### Tune-up Kits

Model 805-HT Part #805-38RHK

Includes Nos. 37, 38, 39, 40, 41, 42, 43(2), 44(2), 45



Ref. #	Part No.	Description	Qty.
1	9863801A	AIR INLET BUSHING	1
2	9328803XP	THROTTLE VALVE SPRING	1
3	9328804C	THROTTLE VALVE	1
4	9328835	THROTTLE VALVE SEAT	1
5	9328825S	SPACER	1
6	9865801	INNER HOUSING	1
7	9865802	TRIGGER	1
8	9865805	VALVE STEM	1
9	9SPP2518	SPRING PIN	1
10	9865806-CAT-22	HANDLE GRIP	1
11	9SPP3032	SPRING PIN	1
12	9589054	O-RING	2
13	9B607ZZ	BALL BEARING	1
14	9865811	REAR END PLATE	1
15	9865818	ROTOR	1
16	9865816	ROTOR BLADE	4
17	9389521A	SPRING PIN	1
18	9865812	CYLINDER	1
19	9865817	FRONT END PLATE	1
20	9B6000ZZ	BALL BEARING	1
21	9865823	WASHER	1
22	9865824	INTERNAL GEAR	1
23	9865827	GEAR CAGE	1

Ref. #	Part No.	Description	Qty.
24	9865825	PLANET GEAR	3
25	9633821	GEAR PIVOT	3
26	9865822-BK	EXHAUST DEFLECTOR	1
27	9B6001ZZ	BALL BEARING	2
28	9865854	FRONT HOUSING	1
29	9865828	CLAMP NUT	1
30	9865853	COUPLING NUT	1
31	9865850	CONNECTING ROD 22	1
32	9B1212	NEEDLE BEARING	1
33	9865852S	RATCHET HOUSING	1
34	9865851	CRANK SHAFT 22	1
35	9863834L	DRIVE BUSHING	1
36	9863835	RATCHET YOKE	1
37	9865836	REVERSE BUTTON	1
38	9P4516	PAWL PIVOT	1
39	9865838-3	3/8" RATCHET ANVIL (805-HT-22)	1
	9865838-4	1/2" RATCHET ANVIL (805-HT-22-5)	1
40	9863839L	SPRING	1
41	9863840L	SPRING CAP	1
42	9863841	RATCHET PAWL	1
43	9863844	FRICTION SPRING	2
44	9863843L	STEEL POST	2
45	9STW-18	RETAINING RING	1

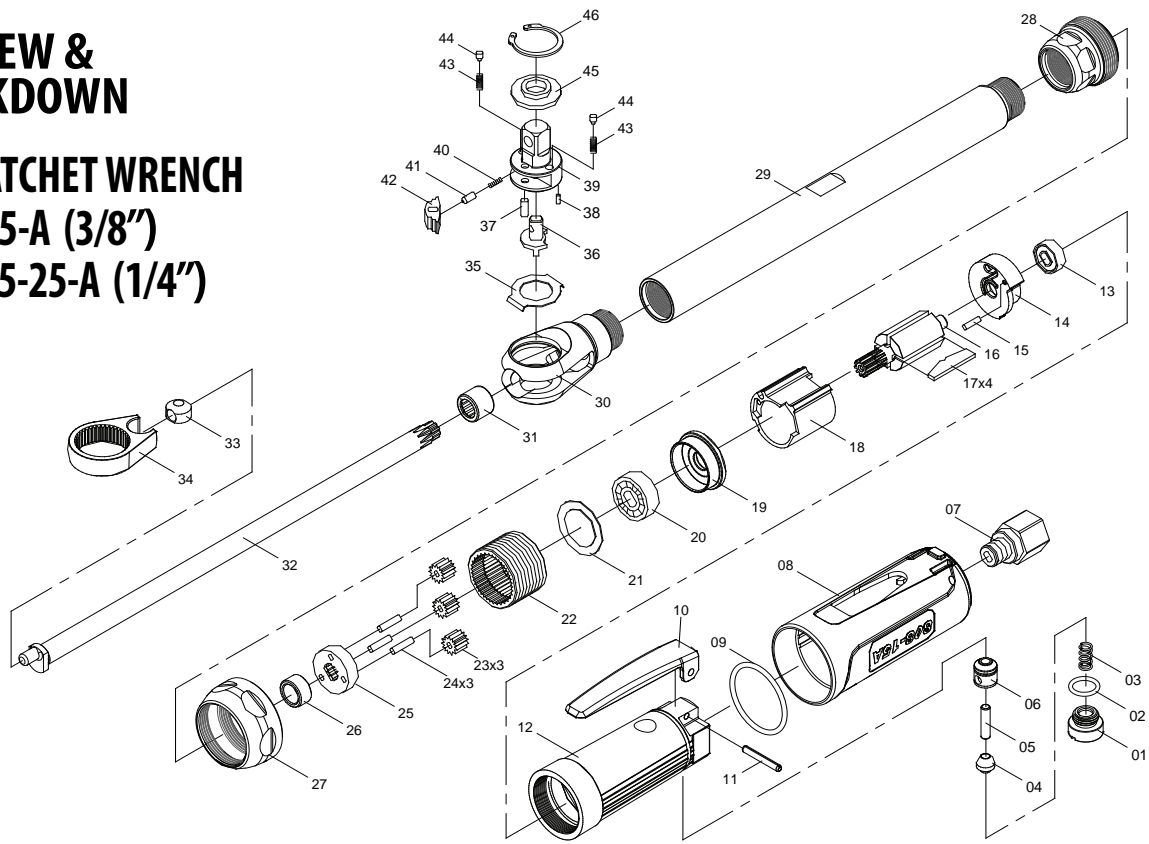
#### Tune-up Kits

805-12RHK

Includes Nos. 37, 38, 39, 40, 41, 42, 43(2), 44(2), 45

# EXPLODED VIEW & PARTS BREAKDOWN

**LONG REACH RATCHET WRENCH**  
**MODEL: 808-15-A (3/8")**  
**MODEL: 808-15-25-A (1/4")**



Ref No.	Parts No.	Description	Q'ty	Ref No.	Parts No.	Description	Q'ty
1	9861457	THROTTLE VALVE CAP	1	25	9861423	GEAR PLATE ASSEMBLY	1
2	90R-P11	O-RING	1	26	9861424	BUSHING	1
3	9861403A	THROTTLE VALVE SPRING	1	27	9861452	CLAMP NUT	1
4	9861404	VALVE	1	28	9861453	FRONT HOUSING	1
5	9861405C	VALVE STEM	1	29	9861454	CONNECTING ROD-15	1
6	9861406C	VALVE BUSHING	1	30	9861455L	RATCHET HOUSING	1
7	9861407	AIR INLET BUSHING	1	31	9861427	NEEDLE BEARING	1
8	9861410C-CAT	COMPOSIT HOUSING	1	32	9861456	CRANK SHAFT-15	1
9	9861448C	O-RING	1	33	9861429	DRIVE BUSHING	1
10	9861408B	THROTTLE LEVER	1	34	9861430	RATCHET YOKE	1
11	9SPP0324	SPRING PIN	1	35	9861431L	WASHER	1
12	9861410CA	HANDLE	1	36	9861432L	REVERSE BUTTON	1
13	9B696ZZ	BALL BEARING	1	37	9861433L	PAWL PIVOT	1
14	9872406	REAR END PLATE	1	38	9589040	SPRING PIN	1
15	9872822	CYLINDER PIN	1	39	9861434L-2	1/4" ANVIL (808-15-25-A)	1
16	9861414	ROTOR	1	39	9861434L-3	3/8" ANVIL (808-15-A)	1
17	9861415	ROTOR BLADE	4	40	9861435L	SPRING	1
18	9861416	CYLINDER	1	41	9861436L	SPRING CAP	1
19	9861417	FRONT END PLATE	1	42	9861437	RATCHET PAWL	1
20	9B608ZZ	BALL BEARING	1	43	9861438	FRICTION SPRING	2
21	9861419	WASHER	1	44	9861439	STEEL POST	2
22	9861420	INTERNAL GEAR	1	45	9861440L-2	THRUST WASHER (808-15-25-A)	1
23	9861421	PLANET GEAR	3	45	9861440L-3	THRUST WASHER (808-15-A)	
24	9861422	GEAR PIVOT	3	46	9RTW-22	RETAINER RING	1

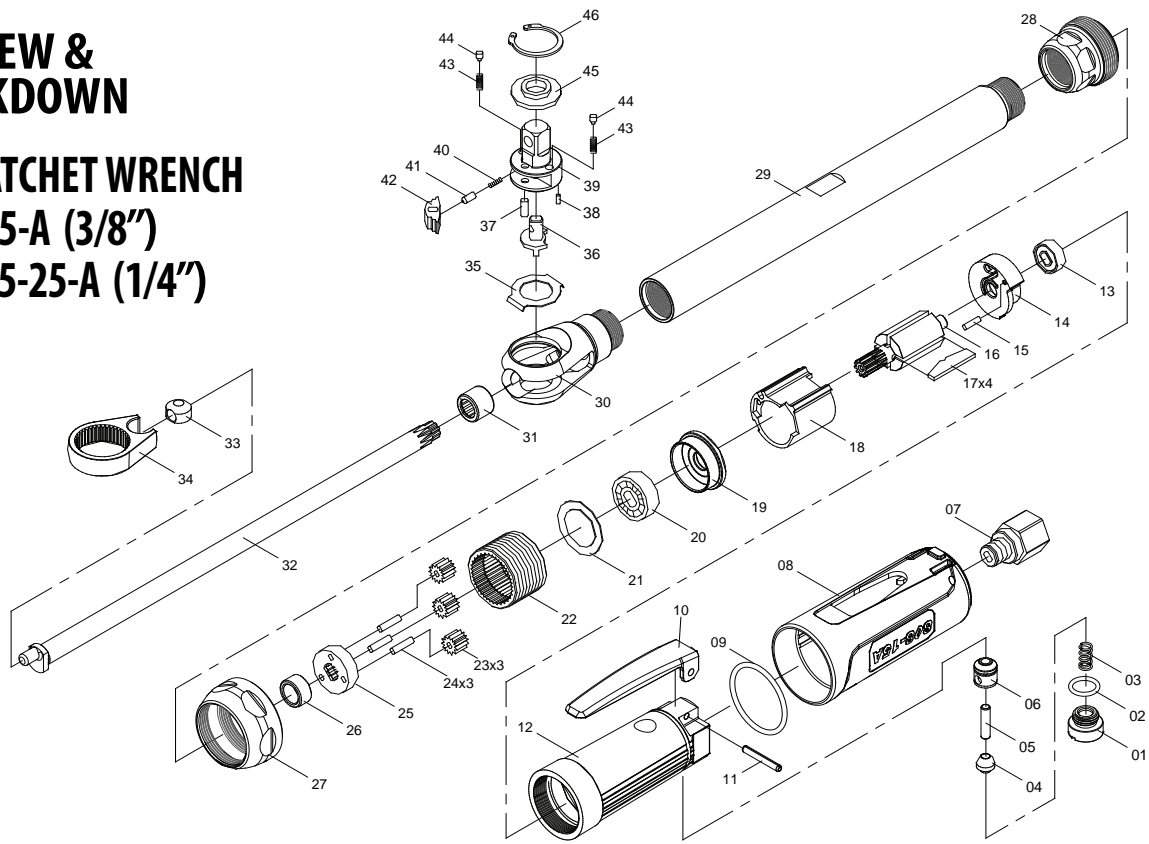
## Tune-up Kits

Model **808-15-A** Part #808-15-ARHY  
 Includes Nos. 35, 36, 37, 38, 39, 40, 41, 42, (2) 43, (2) 44, 45, 46

Model **808-15-25-A** Part #808-15-25-ARHK  
 Includes Nos. 35, 36, 37, 38, 39, 40, 41, 42, (2) 43, (2) 44, 45, 46

# EXPLODED VIEW & PARTS BREAKDOWN

**LONG REACH RATCHET WRENCH**  
**MODEL: 808-15-A (3/8")**  
**MODEL: 808-15-25-A (1/4")**

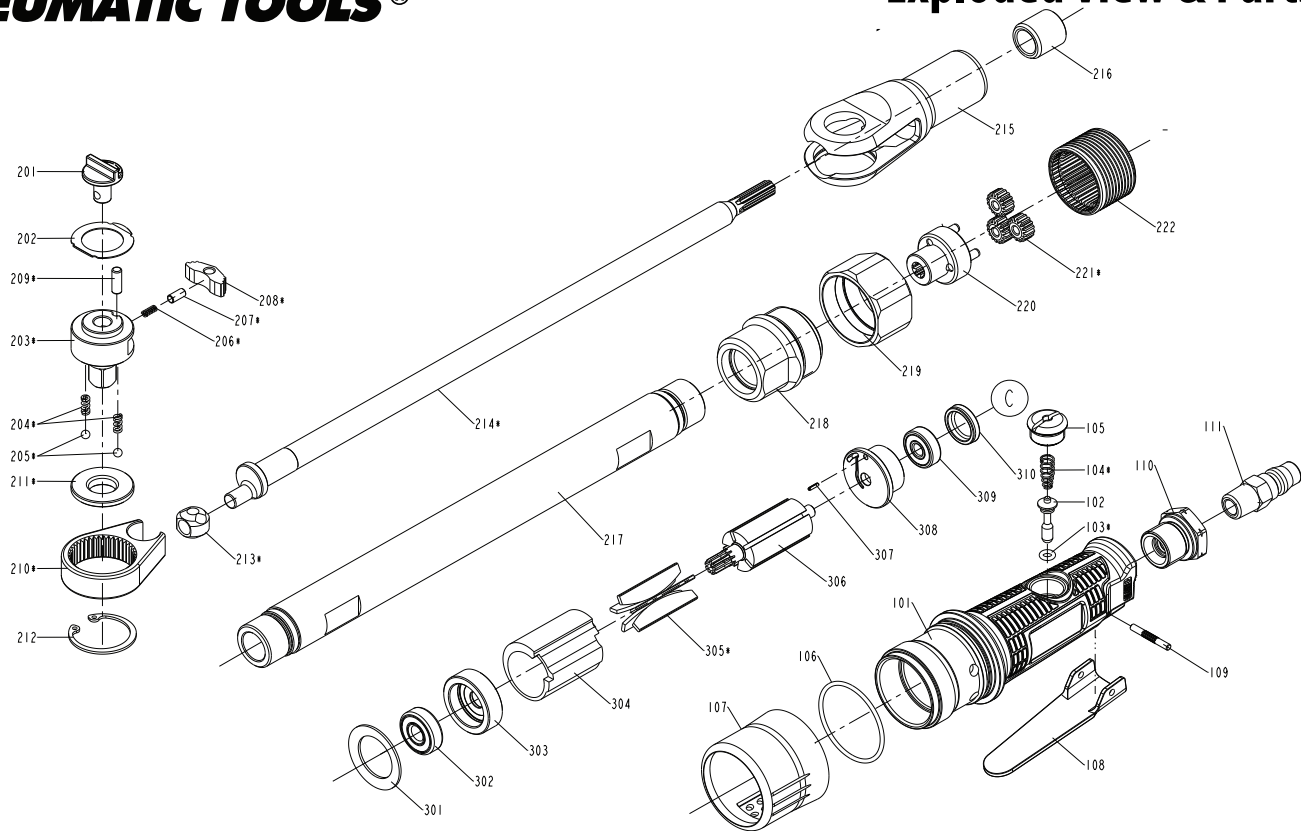


Ref No.	Parts No.	Description	Q'ty	Ref No.	Parts No.	Description	Q'ty
1	9861457	THROTTLE VALVE CAP	1	25	9861423	GEAR PLATE ASSEMBLY	1
2	90R-P11	O-RING	1	26	9861424	BUSHING	1
3	9861403A	THROTTLE VALVE SPRING	1	27	9861452	CLAMP NUT	1
4	9861404	VALVE	1	28	9861453	FRONT HOUSING	1
5	9861405C	VALVE STEM	1	29	9861454	CONNECTING ROD-15	1
6	9861406C	VALVE BUSHING	1	30	9861455L	RATCHET HOUSING	1
7	9861407	AIR INLET BUSHING	1	31	9861427	NEEDLE BEARING	1
8	9861410C-CAT	COMPOSIT HOUSING	1	32	9861456	CRANK SHAFT-15	1
9	9861448C	O-RING	1	33	9861429	DRIVE BUSHING	1
10	9861408B	THROTTLE LEVER	1	34	9861430	RATCHET YOKE	1
11	9SPP0324	SPRING PIN	1	35	9861431L	WASHER	1
12	9861410CA	HANDLE	1	36	9861432L	REVERSE BUTTON	1
13	9B696ZZ	BALL BEARING	1	37	9861433L	PAWL PIVOT	1
14	9872406	REAR END PLATE	1	38	9589040	SPRING PIN	1
15	9872822	CYLINDER PIN	1	39	9861434L-2	1/4" ANVIL (808-15-25-A)	1
16	9861414	ROTOR	1	39	9861434L-3	3/8" ANVIL (808-15-A)	1
17	9861415	ROTOR BLADE	4	40	9861435L	SPRING	1
18	9861416	CYLINDER	1	41	9861436L	SPRING CAP	1
19	9861417	FRONT END PLATE	1	42	9861437	RATCHET PAWL	1
20	9B608ZZ	BALL BEARING	1	43	9861438	FRICTION SPRING	2
21	9861419	WASHER	1	44	9861439	STEEL POST	2
22	9861420	INTERNAL GEAR	1	45	9861440L-2	THRUST WASHER (808-15-25-A)	1
23	9861421	PLANET GEAR	3	45	9861440L-3	THRUST WASHER (808-15-A)	
24	9861422	GEAR PIVOT	3	46	9RTW-22	RETAINER RING	1

## Tune-up Kits

Model **808-15-A** Part #808-15-ARHY  
 Includes Nos. 35, 36, 37, 38, 39, 40, 41, 42, (2) 43, (2) 44, 45, 46

Model **808-15-25-A** Part #808-15-25-ARHK  
 Includes Nos. 35, 36, 37, 38, 39, 40, 41, 42, (2) 43, (2) 44, 45, 46

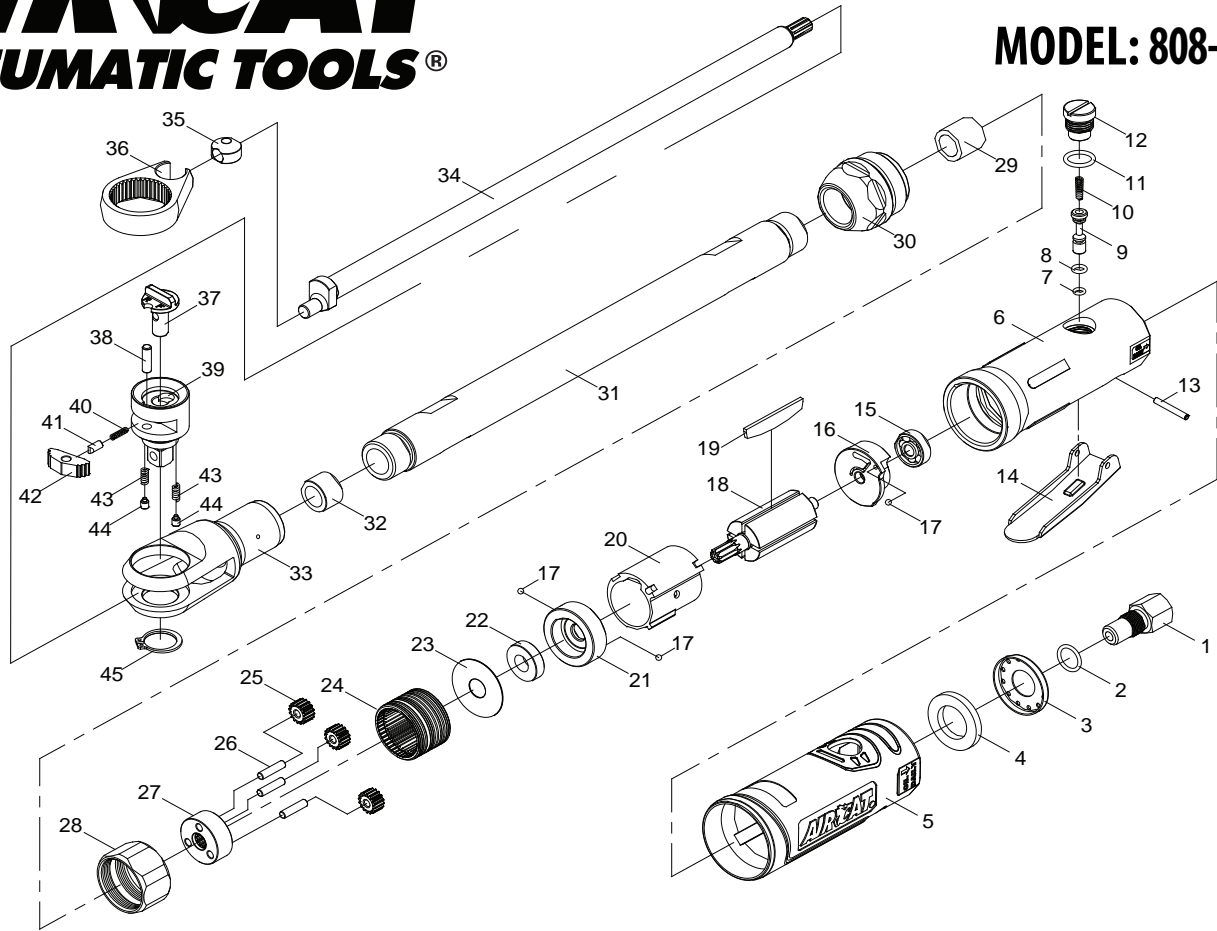


REF#	PARTS NO	PARTS NAME	REF#	PARTS NO	PARTS NAME
101	12302-1009202-1	HOUSING(Aircat)	212	2040300-09010-0	C - RING
102	12305-1004701-1	VALVE STEM	213	1231D-1004701-1	DRIVE BUSHING
103*	2041100-01040-0	O - RING	214	12322-1014703-1	MOTOR SHAFT BALANCER
104*	1230J-1000006-1	VALVE STEM SPRING	215	1230Y-1014711-1	RATCHET HOUSING
105	12397-1004701-1	DISCHARGE VALVE SEAL	216	1230K-1000003-1	LATCH SPRING BUSHING
106	2041102-04050-0	O - RING	217	1239J-1014702-1	EXTENSION POLE
107	12352-1004701-1	OUTLET CONTROLLER	218	1232Y-1014702-1	DEEP IMPACT SOCKET 1
108	12310-1004704-1	TRIGGER	219	12321-1004701-1	LOCK RING
109	1236D-1004701-1	PIN	220	12241-1010006-1	PLANET CAGE ASSY
110	12309-1004708-1	AIR INLET	221	1231B-1000001-1	PLANET GEAR
111	1135V-0000007-1	AIR PLUG	222	1231A-1004701-1	INTERNAL GEAR
201	1231H-1004703-1	REVERSE LEVER	301	1230J-1004701-1	LOCK WASHER
202	12340-1004701-1	ANVIL WASHER	302	2041200-00021-0	BEARING
203	1231F-1014701-1	ANVIL	303	12312-1000001-1	FRONT PLATE
204	1230J-1000001-1	THRUST WASHER SPRING	304	12315-1000003-1	CYLINDER
205	2040800-02010-0	BALL	305*	12314-1000001-1	BLADE
206	1230J-1000002-1	REVERSE SPRING	306	12313-1000001-1	ROTOR
207	1230B-1004701-1	REVERSE PIN	307	2040400-02030-0	SPRING PIN
208	1231G-1000001-1	RATCHET PAWL	308	12316-1000001-1	REAL PLATE
209	1230B-1000001-1	PLANET PIN	309	2041200-00013-0	BEARING
210	1231E-1004701-2	YOKE	310	1230X-1004701-1	HOUSING COVER
211	12378-1014701-1	THRUST WASHER			

#### Tune-up Kits

805-38RHK

Includes Nos. 37, 38, 39, 40, 41, 42, 43(2), 44(2), 45



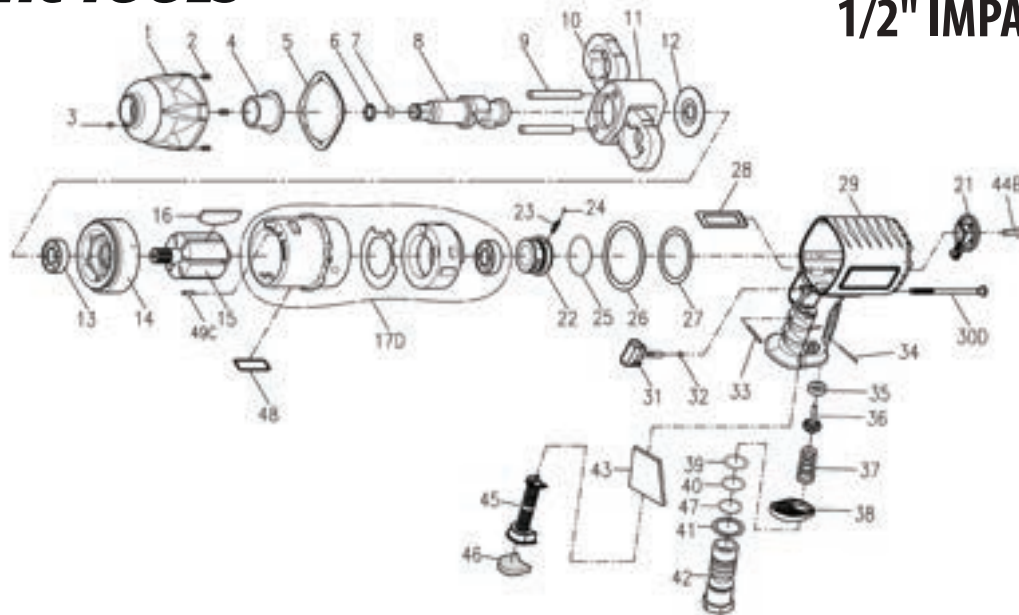
Ref #	Parts No.	Description	Qty
1	9938L10	AIR INLET	1
2	9938L11	O-RING	1
3	9938L12	DEFLECTOR	1
4	9938L13	MUFFLER	1
5	993846-CAT-808	COMFORT GRIP	1
6	9938L01-22	HOUSING W/BUSHING	1
7	9938L04	O-RING	1
8	9938L05	O-RING	1
9	9938L06	THROTTLE PIN	1
10	9938L07	SPRING	1
11	9938L08	O-RING	1
12	9938L09	VALVE PLUG	1
13	9938L03	PIN	1
14	9938L02	THROTTLE LEVER	1
15	B626ZZ	BALL BEARING	1
16	9938L15	REAR END PLATE	1
17	9938L16	STEEL BALL	3
18	9938L61	ROTOR	1
19	9938L62	ROTOR BLADE	4
20	9938L63	CYLINDER	1
21	9938L64	FRONT END PLATE	1
22	B608ZZ	BALL BEARING	1
23	863823L	WASHER	1

Ref #	Parts No.	Description	Qty
24	863824L	INTERNAL GEAR	1
25	863825L	PLANET GEAR	3
26	863827LASZ	GEAR PIVOT	3
27		GEAR PLATE	1
28	863828L	CLAMP NUT	1
29	863829L	BUSHING	1
30	863852L	FRONT HOUSING	1
31	863853L	CONNECTING ROD 22	1
32	B1212	NEEDLE BEARING	1
33	865852S	RATCHET HOUSING	1
34	863854L	CRANK SHAFT 22	1
35	863834L	DRIVE BUSHING	1
36	863835	RATCHET YOKE	1
37	865836	REVERSE BUTTON	1
38	P4516	PAWL PIVOT	1
39	865838-3	3/8" ANVIL	1
40	863839L	SPRING	1
41	863840L	SPRING CAP	1
42	863841	RATCHET PAWL	1
43	863844	FRICTION SPRING	2
44	863843L	STEEL POST	2
45	STW-18	RETAINING RING	1

#### Tune-up Kits

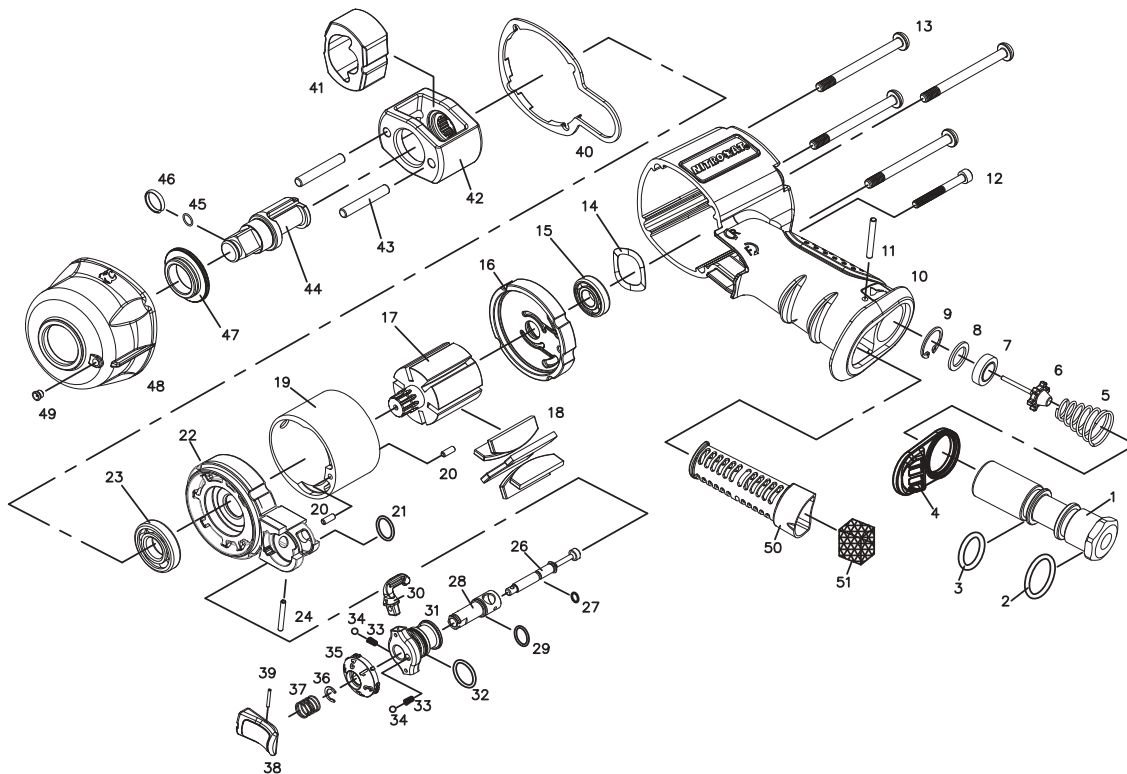
805-38RHK

Includes Nos. 37, 38, 39, 40, 41, 42, 43(2), 44(2), 45



Ref #	Part Number	Description	Qty
1	305Q-002B	Hammer Case	1
2	00-4302	Inserts Recoil	4
3	00-4603	Grease Fitting	1
4	305H-010	Anvil Bushing	1
5	305P-020-B	Front Gasket	1
6	250-033	Anvil Collar	1
7	00-4103	O-Ring	1
8	305H-011NA4	Anvil	1
	305H-011NB4	2" Anvil	1
9	305-016	Hammer Pin	2
10	305-017-B	Hammer	2
11	305-012	Hammer Cage	1
12	305-020-B	Rear Washer	1
13	00-2317	Ball Bearing	1
14	305F-005	Front End Plate	1
15	305H-007N	Rotor	1
16	305H-008D	Rotor Blade	6
17D	305H-006C	Cylinder	1
	305F-033-B	Valve Sleeve Gasket	1
	305H-029C	Valve Sleeve	1
	00-2305	Ball Bearing	1
21	305P-022	Regulator Knob	1
22	305Q-021C	Regulator	1
23	305F-034	Spring	1
24	00-3805	Steel Ball	1
25	00-4174	O-Ring	1

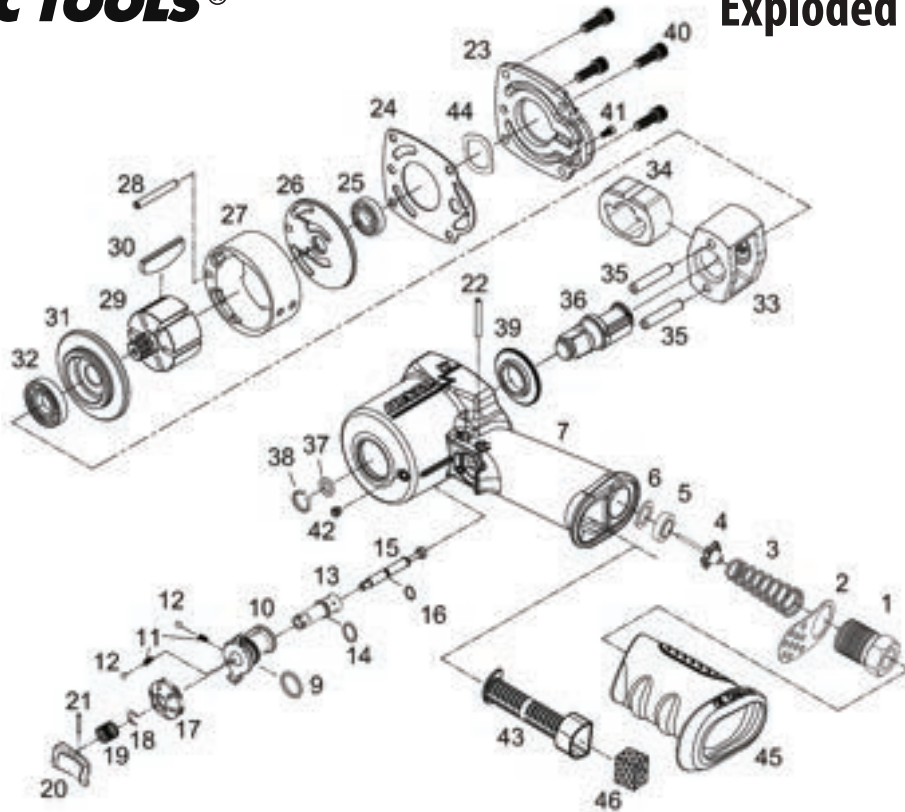
Ref #	Part Number	Description	Qty.
26	305F-030	Rear Gasket	1
27	305F-031	Washer	1
28	305F-019	Air Channel Gasket	1
29	305Z-001	Motor Housing	1
30D	305S-028	Screw	4
31	305H-024	Trigger	1
32	00-4101	O-Ring	1
33	00-3335	Spring Pin	1
34	00-3308	Spring Pin	1
35	306-027-B	Bushing	1
36	306-026	Valve Stem	1
37	305F-026-B	Spring	1
38	305H-021	Exhaust Deflector	1
39	00-4126	O-Ring	1
40	00-4143	O-Ring	1
41	305F-032	Washer	1
42	305F-025B-B	Air Inlet (1/4" PT)	1
	305F-025C-B	Air Inlet (1/4" NPT)	
43	305H-027	Muffler	1
44B	00-6204	Cap Screw	1
45	305H-019B	Exhaust Tube	1
46	243H-027	Muffler	1
47	00-4127	O-Ring	1
48	305H-041	Square Ring	1
49C	00-3435	Pin	1



Ref. #	Part Number	Description	Qty
1	9638001M	AIR INLET	1
	9638001M-BSP	AIR INLET (UK)	1
2	9638003	O-RING	1
3	90RAS-115	O-RING	1
4	9638005	DEFLECTOR	1
5	9638006	SPRING	1
6	9328804C	VALVE STEM	1
7	9328835	VALVE SEAT	1
8	9328825S	WASHER	1
9	9638010	RETAINING RING	1
10	9651210-1056	MOTOR HOUSING FOR 1056-XL	1
	9651210-1076	MOTOR HOUSING FOR 1076-XL	1
11	9638011	SPRING PIN	1
12	9611212	SCREW	1
13	9651213	BOLT	4
14	9WW-18	WASHER	1
15	9R6	BALL BEARING	1
16	9651206	REAR PLATE	1
17	9251205	ROTOR	1
18	9251203	ROTOR BLADE	6
19	9251218	CYLINDER	1
20	9SP0308	SPRING PIN	2
21	90R1315	O-RING	1
22	9651202-A	FRONT PLATE W/VALVE BUSHING	1
23	9EE4	BALL BEARING	1
24	9SP2520	SPRING PIN	1
26	9651232	TRIGGER PIN	1
27	9638013	O-RING	1

Ref. #	Part Number	Description	Qty
28	9651235	VALVE BODY	1
29	90R8501	O-RING	1
30	9611238	REVERSE VALVE LEVER	1
31	9651237	REVERSE VALVE	1
32	90R1301	O-RING	1
33	9611239-1	SPRING	2
34	9SB0003-1	STEEL BALL	2
35	9611240	POWER MANAGEMENT KNOB	1
36	9611236	RETAINER	1
37	9S8512	SPRING	1
38	9261206-BK	TRIGGER	1
39	9589039	SPRING PIN	1
40	9651207-RD	GASKET	1
41	9251225	HAMMER	1
42	9251212	HAMMER FRAME	1
43	9251213	HAMMER PIN	2
44	9251208	1/2" ANVIL FOR 1056-XL	1
	9251208-1	3/8" ANVIL FOR 1076-XL	1
45	90R7718	RETAINER O-RING FOR 1056-XL	1
	9328829-3	RETAINER O-RING FOR 1076-XL	1
46	9328830-4	SOCKET RETAINER FOR 1056-XL	1
	9328830-3	SOCKET RETAINER FOR 1076-XL	1
47	9251216	ANVIL BUSHING	1
48	9651230-NICAT	HAMMER CASE	1
49	9638047	GREASE FITTING	1
50	9651245	MUFFLER TUBE	1
51	9389507-1056	SILENCER	1
	1076XL-PK	TUNE UP KIT FOR 1076-XL	1
	1056XL-PK	TUNE UP KIT FOR 1056-XL	1

● Tune-up Kit Includes Part Nos. 2, 3, 7, 8, 18 (6), 27, 29, 32, 37, 40, 45, 46



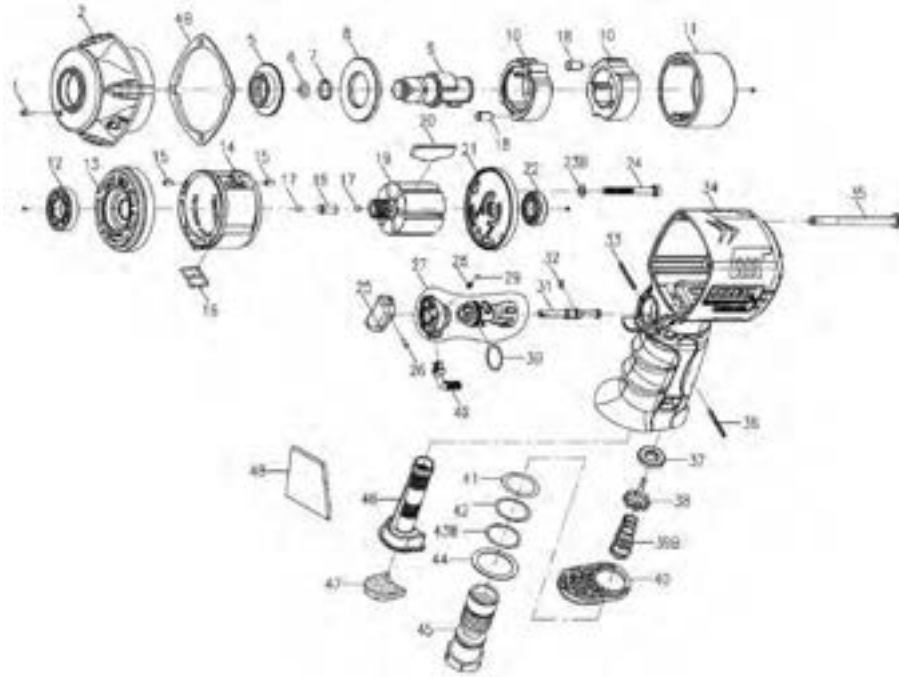
Ref. #	Part Number	Description	Qty.	Ref. #	Part Number	Description	Qty.
1	9328822	INLET BUSHING	1	26	9281206	REAR PLATE	1
2	9328802E-1	EXHAUST DEFLECTOR	1	27	9281218	CYLINDER	1
3	9328803	VALVE SPRING	1	28	9SPP0432	SPRING PIN	1
4	9328804C	VALVE STEM	1	29	9281205	ROTOR	1
5	9328835	VALVE SEAT	1	30	9281203	ROTOR BLADE	6
6	9328825S	SPACER	1	31	9281202	FRONT PLATE	1
7	9281211A-1057	MOTOR HOUSING W/VALVE BUSHING FOR 1057-TH	1	32	9EE4	BALL BEARING	1
7	9281211A-1077	MOTOR HOUSING W/VALVE BUSHING FOR 1077-TH	1	33	9281212	HAMMER FRAME	1
9	9OR1301	O-RING	1	34	9281225	HAMMER	1
10	9251237	REGULATOR	1	35	9281213	HAMMER PIN	2
11	9611239-1	SPRING	2	36	9281208	1/2" ANVIL FOR 1057-TH	1
12	9SB0003-1	STEEL BALL	2	36	9281208-38	3/8" ANVIL FOR 1077-TH	1
13	9611235	REGULATOR VALVE	1	37	9OR7718	RETAINER O-RING FOR 1057-TH	1
14	9OR8501	O-RING	1	37	9328829-3	RETAINER O-RING FOR 1077-TH	1
15	9281232	TRIGGER PIN	1	38	9328830-4	SOCKET RETAINER FOR 1057-TH	1
16	9638013	O-RING	1	38	9328830-3	SOCKET RETAINER FOR 1077-TH	1
17	9611240	POWER MANAGEMENT KNOB	1	39	9281216	ANVIL BUSHING	1
18	9611236	RETAINER	1	40	9CAP1015-N	SCREW	4
19	9S8512	SPRING	1	41	9611214	SCREW	1
20	9261206-BK	TRIGGER	1	42	9638047	GREASE FITTING	1
21	9589039	SPRING PIN	1	43	9251245	MUFFLER	1
22	9612802	SPRING PIN	1	44	9WW-18	WASHER	1
23	9281210-GY	HOUSING CAP	1	45	92634T46	GRIP	1
24	9281207	GASKET	1	46	9389507	SILENCER	1
25	9R6	BALL BEARING	1	●	1077TH-PK 1057TH-PK	TUNE UP KIT FOR 1077-TH TUNE UP KIT FOR 1057-TH	1 1

● Tune-up Kit Includes Part Nos. 5, 6, 9, 14, 16, 19, 24, 30 (6), 37, 38

# VIBROTHERM

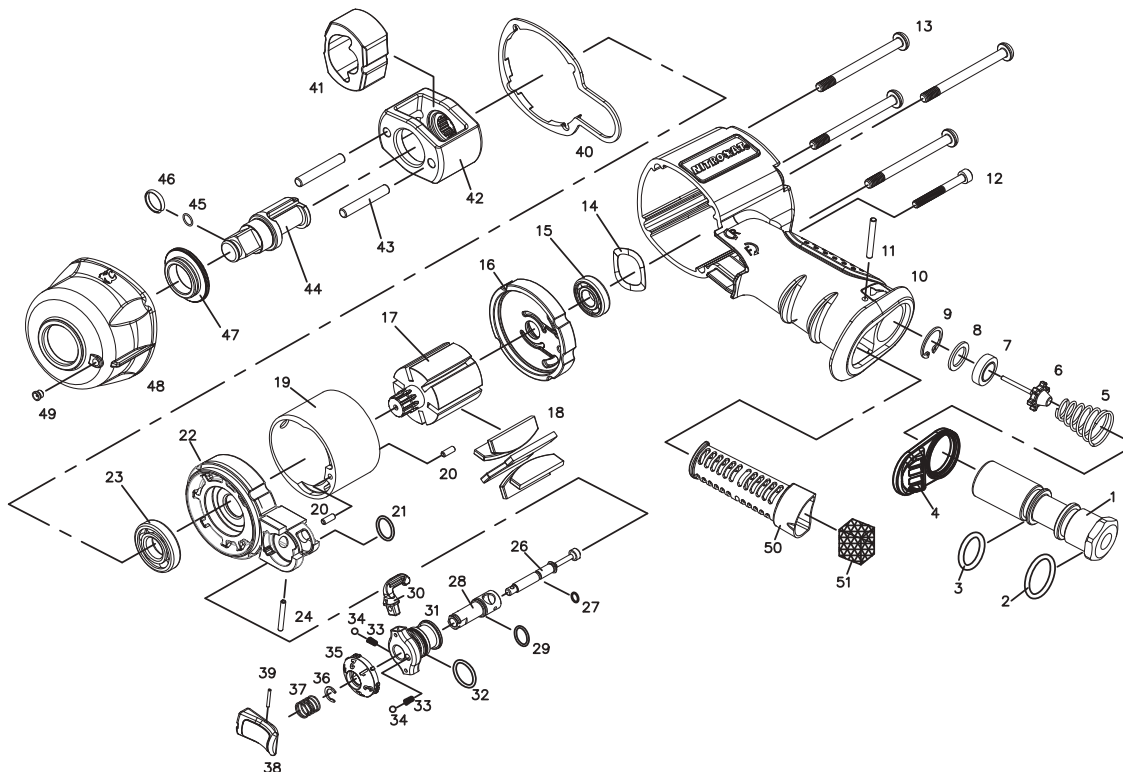
by **AIRCAT** DRIVE™

## MODEL: 1059-VXL / 1058-VXL 3/8" / 1/2" COMPACT IMPACT WRENCH Exploded View & Parts List



Ref	Part #	Description	Qty	Ref	Part #	Description	Qty
1	00-4603	Grease Fitting	1	27	243Q-034B	F/R Lever	1
2	243Q-002	Hammer Case	1		243D-021	R/F Valve	1
4B	243Q-020	Front Gasket	1	28	305Y-027	Spring	1
5	243Q-010	Anvil Bushing	1	29	00-3816	Steel Ball	1
6	00-4103 (1/2") 00-4144 (3/8")	O-Ring	1	30	00-41175	O-Ring	1
7	250-033 (1/2") 242-026 (3/8")	Anvil Collar	1	31	243Q-029	Trigger pin	1
8	243Q-019	Hammer Cage Cover	1	32	00-4190	O-Ring	1
9	243Q-011NA4 (1/2") 243Q-011NA3 (3/8")	Anvil	1	33	00-3351	Spring Pin	1
10	243Q-017	Hammer	2	34	243Q-001	Motor Housing	1
11	243Q-012	Hammer Cage	1	35	243D-028	Screw	4
12	00-2317	Ball Bearing	1	36	00-3308	Spring Pin	1
13	243Q-005B	Front End Plate	1	37	243D-024	Bushing	1
14	243Q-006	Cylinder	1	38	243D-025	Valve Stem	1
15	00-3419	Pin	2	39B	243D-027B	Spring	1
16	243D-030	Square Ring	1	40	243H-021	Exhaust Deflector	1
17	00-3824	Steel Ball	2	41	00-4126	O-Ring	1
18	00-3480	Pin	3	42	00-4143	O-Ring	1
19	243Q-007	Rotor	1	43B	00-4121	O-Ring	1
20	243D-008D	Rotor Blade	6	44	305F-032	Washer	1
21	243Q-009	Rear End Plate	1	45	305F-025A-B	Air Inlet (1/4" PF)	1
22	00-2326	Ball Bearing	1		305F-025B-B	Air Inlet (1/4" PT)	
23B	00-1809	Spring Washer	3		305F-025C-B	Air Inlet (1/4" NPT)	
24	00-0145	Cap Screw	3	46	243H-019B-B	Exhaust Tube	1
25	243Q-023	Trigger	1	47	243H-027	Non Woven	1
26	00-3325	Spring Pin	1	48	243Q-027	Felt	1
				49	243Q-035B	Tab	1
				●	1058-VXLPK 1059-VXLPK	Tune Up Kit (1058-VXL) Tune Up Kit (1059-VXL)	

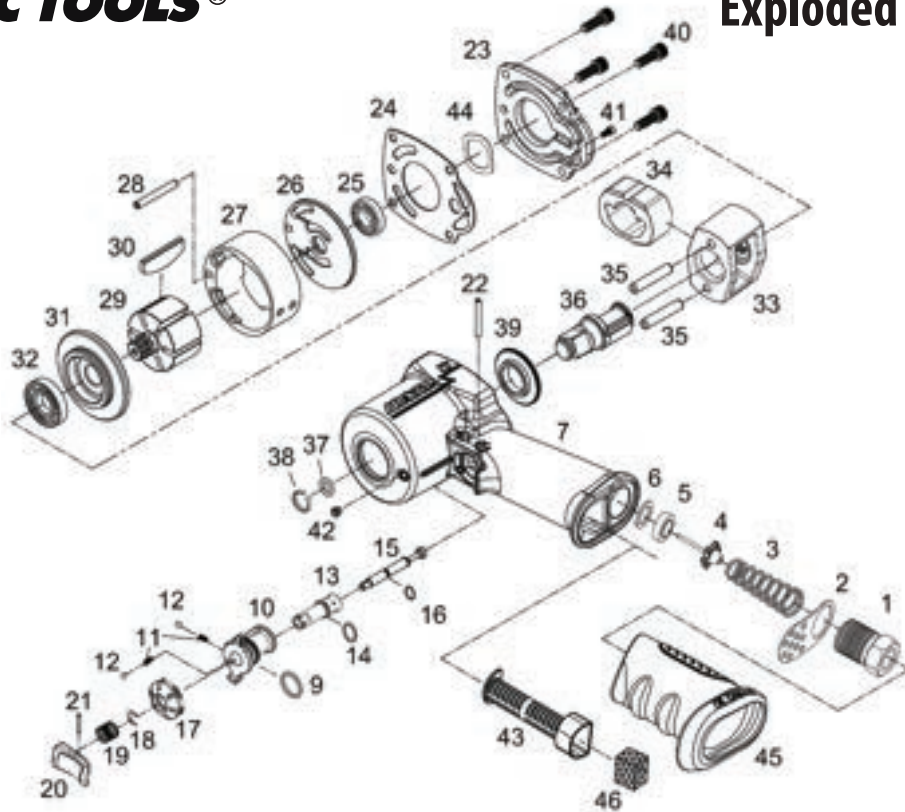
● Includes No's **4B, 6, 7, 20 (6), 30, 37, 41**



Ref. #	Part Number	Description	Qty
1	9638001M	AIR INLET	1
	9638001M-BSP	AIR INLET (UK)	1
2	9638003	O-RING	1
3	90RAS-115	O-RING	1
4	9638005	DEFLECTOR	1
5	9638006	SPRING	1
6	9328804C	VALVE STEM	1
7	9328835	VALVE SEAT	1
8	9328825S	WASHER	1
9	9638010	RETAINING RING	1
10	9651210-1056	MOTOR HOUSING FOR 1056-XL	1
	9651210-1076	MOTOR HOUSING FOR 1076-XL	1
11	9638011	SPRING PIN	1
12	9611212	SCREW	1
13	9651213	BOLT	4
14	9WW-18	WASHER	1
15	9R6	BALL BEARING	1
16	9651206	REAR PLATE	1
17	9251205	ROTOR	1
18	9251203	ROTOR BLADE	6
19	9251218	CYLINDER	1
20	9SP0308	SPRING PIN	2
21	90R1315	O-RING	1
22	9651202-A	FRONT PLATE W/VALVE BUSHING	1
23	9EE4	BALL BEARING	1
24	9SP2520	SPRING PIN	1
26	9651232	TRIGGER PIN	1
27	9638013	O-RING	1

Ref. #	Part Number	Description	Qty
28	9651235	VALVE BODY	1
29	90R8501	O-RING	1
30	9611238	REVERSE VALVE LEVER	1
31	9651237	REVERSE VALVE	1
32	90R1301	O-RING	1
33	9611239-1	SPRING	2
34	9SB0003-1	STEEL BALL	2
35	9611240	POWER MANAGEMENT KNOB	1
36	9611236	RETAINER	1
37	9S8512	SPRING	1
38	9261206-BK	TRIGGER	1
39	9589039	SPRING PIN	1
40	9651207-RD	GASKET	1
41	9251225	HAMMER	1
42	9251212	HAMMER FRAME	1
43	9251213	HAMMER PIN	2
44	9251208	1/2" ANVIL FOR 1056-XL	1
	9251208-1	3/8" ANVIL FOR 1076-XL	1
45	90R7718	RETAINER O-RING FOR 1056-XL	1
	9328829-3	RETAINER O-RING FOR 1076-XL	1
46	9328830-4	SOCKET RETAINER FOR 1056-XL	1
	9328830-3	SOCKET RETAINER FOR 1076-XL	1
47	9251216	ANVIL BUSHING	1
48	9651230-NICAT	HAMMER CASE	1
49	9638047	GREASE FITTING	1
50	9651245	MUFFLER TUBE	1
51	9389507-1056	SILENCER	1
●	1076XL-PK 1056XL-PK	TUNE UP KIT FOR 1076-XL TUNE UP KIT FOR 1056-XL	1 1

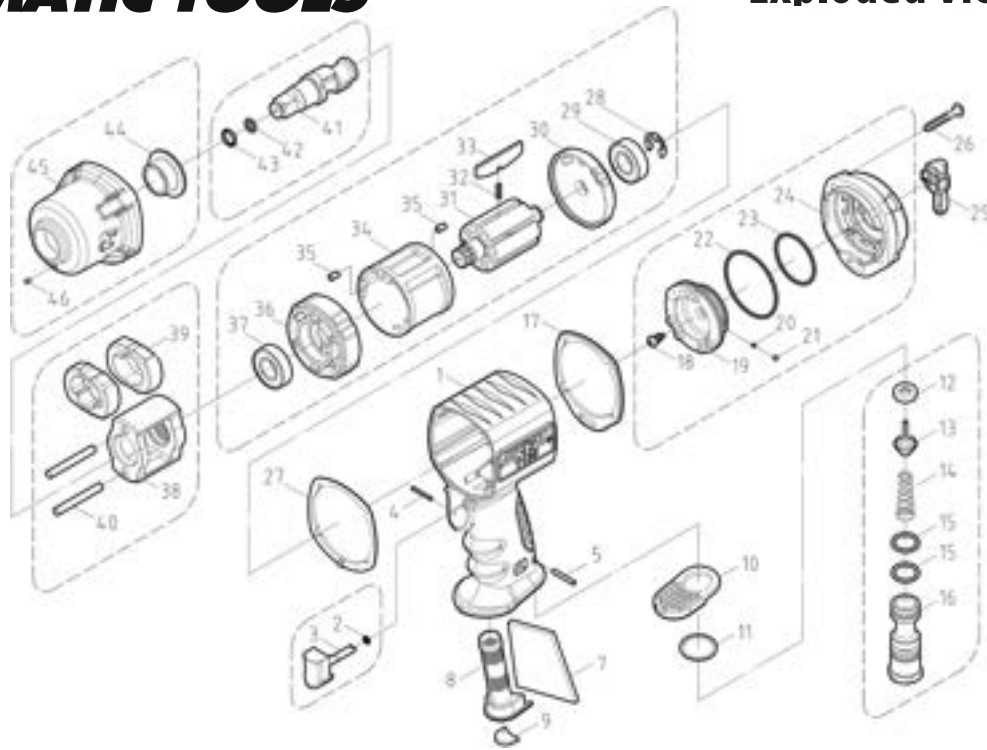
● Tune-up Kit Includes Part Nos. 2, 3, 7, 8, 18 (6), 27, 29, 32, 37, 40, 45, 46



Ref. #	Part Number	Description	Qty.
1	9328822	INLET BUSHING	1
2	9328802E-1	EXHAUST DEFLECTOR	1
3	9328803	VALVE SPRING	1
4	9328804C	VALVE STEM	1
5	9328835	VALVE SEAT	1
6	9328825S	SPACER	1
7	9281211A-1057	MOTOR HOUSING W/VALVE BUSHING FOR 1057-TH	1
7	9281211A-1077	MOTOR HOUSING W/VALVE BUSHING FOR 1077-TH	1
9	9OR1301	O-RING	1
10	9251237	REGULATOR	1
11	9611239-1	SPRING	2
12	9SB0003-1	STEEL BALL	2
13	9611235	REGULATOR VALVE	1
14	9OR8501	O-RING	1
15	9281232	TRIGGER PIN	1
16	9638013	O-RING	1
17	9611240	POWER MANAGEMENT KNOB	1
18	9611236	RETAINER	1
19	9S8512	SPRING	1
20	9261206-BK	TRIGGER	1
21	9589039	SPRING PIN	1
22	9612802	SPRING PIN	1
23	9281210-GY	HOUSING CAP	1
24	9281207	GASKET	1
25	9R6	BALL BEARING	1

Ref. #	Part Number	Description	Qty.
26	9281206	REAR PLATE	1
27	9281218	CYLINDER	1
28	9SPP0432	SPRING PIN	1
29	9281205	ROTOR	1
30	9281203	ROTOR BLADE	6
31	9281202	FRONT PLATE	1
32	9EE4	BALL BEARING	1
33	9281212	HAMMER FRAME	1
34	9281225	HAMMER	1
35	9281213	HAMMER PIN	2
36	9281208	1/2" ANVIL FOR 1057-TH	1
36	9281208-38	3/8" ANVIL FOR 1077-TH	1
37	9OR7718	RETAINER O-RING FOR 1057-TH	1
37	9328829-3	RETAINER O-RING FOR 1077-TH	1
38	9328830-4	SOCKET RETAINER FOR 1057-TH	1
38	9328830-3	SOCKET RETAINER FOR 1077-TH	1
39	9281216	ANVIL BUSHING	1
40	9CAP1015-N	SCREW	4
41	9611214	SCREW	1
42	9638047	GREASE FITTING	1
43	9251245	MUFFLER	1
44	9WW-18	WASHER	1
45	92634T46	GRIP	1
46	9389507	SILENCER	1
●	1077TH-PK 1057TH-PK	TUNE UP KIT FOR 1077-TH TUNE UP KIT FOR 1057-TH	1 1

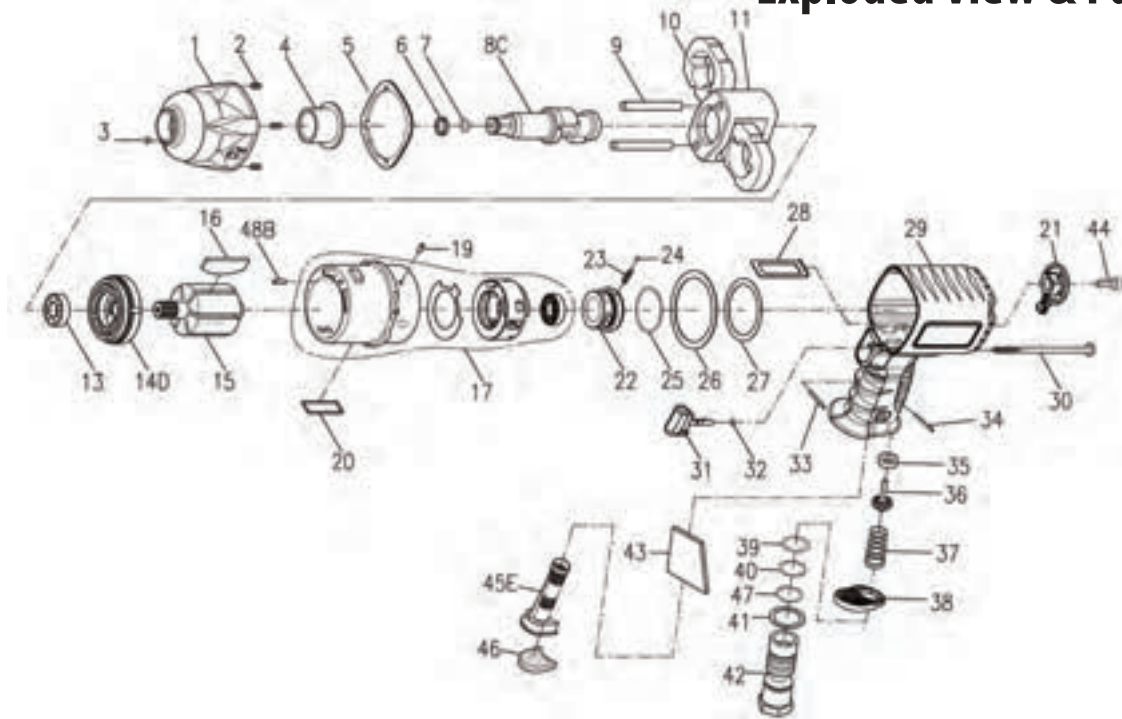
● Tune-up Kit Includes Part Nos. 5, 6, 9, 14, 16, 19, 24, 30 (6), 37, 38



Ref #	Part Number	Description	Qty
1	92-001131402	Housing	1
2	92-916003510	O-Ring	1
3	92-030128501	Trigger	1
4	92-9282020	Spring Pin	1
5	92-9283022	Spring Pin	1
7	92-003131402	Muffler Filter	1
8	92-086131402	Exhaust Tube	1
9	92-003131401	Muffler Filter	1
10	92-004131401	Exhaust Deflector	1
11	92-016106301	Washer	1
12	92-927024	Oil Seal	1
13	92-010103201	Pin Valve Rod	1
14	92-002107701	Cone Spring	1
15	92-916015526	O-Ring	2
16	92-005109601 92-005109601-03	Air Inlet (NPT) Air Inlet (BSP)	1
17	92-061106302-03	Gasket	1
18	92-049109601	Screw	1
19	92-009111101	Reverse Valve	1
20	92-007102702	Spring	1
21	92-9180318	Steel Ball	1
22	92-916050518	O-Ring	1
23	92-916031520	O-Ring	1
24	92-071111107-08	Cover	1

Ref #	Part Number	Description	Qty.
25	92-031111105-09	Reverse Lever	1
26	92-049106301-02	Screw	4
27	92-061106301-03	Gasket	1
28	92-905010	E-Ring	1
29	92-9026001-02	Ball Bearing	1
30	92-011106301-02	Rear Plate	1
31	92-013111102	Rotor	1
32	92-007106301	Spring	7
33	92-014106301-02	Blade	7
34	92-012111101	Cylinder	1
35	92-9284008	Spring Pin	2
36	92-015106301-02	Front Plate	1
37	92-9026002	Ball Bearing	1
38	92-020111102	Hammer Cage	1
39	92-022111102	Hammer	2
40	92-023111101	Hammer Pin	2
41	92-025111104	Anvil	1
42	92-916006819-02	O-Ring	1
43	92-069103101	Anvil Collar	1
44	92-026111101	Bushing	1
45	92-027111107	Front Casing	1
46	92-91503	Oil Screw	1
*	1125-PK	Tune Up Kit	1

\* Tune Up Kit Includes Item Nos. 2, 4, 5, 12, 15 (2), 17, 20, 21, 22, 23, 27, 32 (7), 33 (7), 42, 43

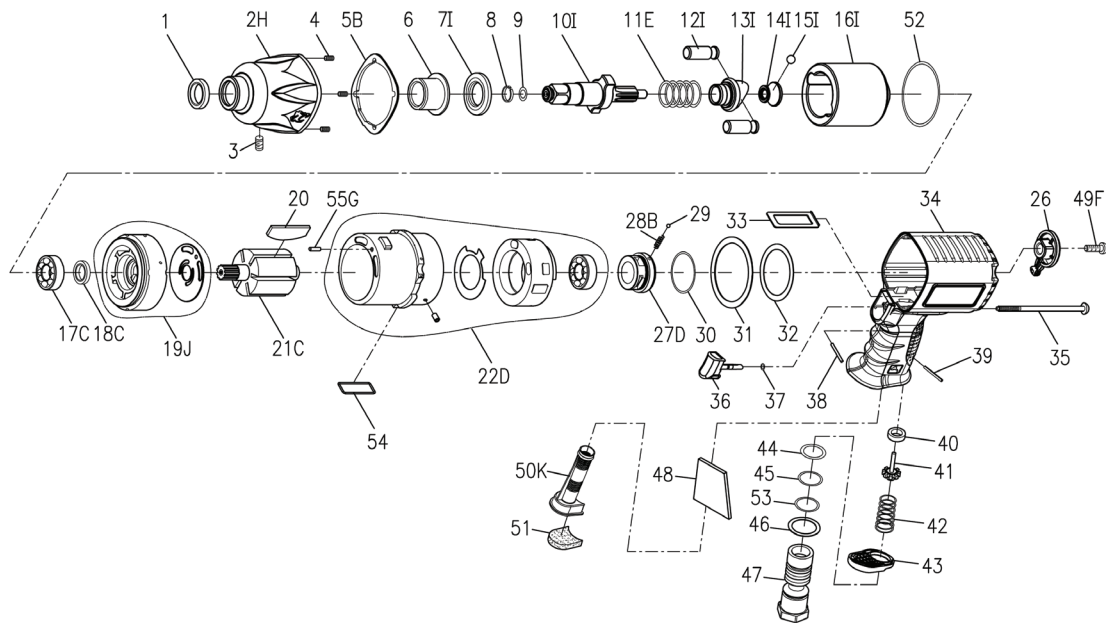


Ref No.	Part No.	Description	Qty	Ref No.	Part No.	Description	Qty
1	305N-002B	Hammer Case	1	25	00-4174	O-Ring	1
2	00-4302	Inserts Recoil	4	26	305F-030	Rear Gasket	1
3	00-4603	Grease Fitting	1	27	305F-031	Washer	1
4	305N-010	Anvil Bushing	1	28	305F-019	Air Channel Gasket	1
5	305P-020-B	Front Gasket	1	29	305N-001	Motor Housing	1
6	250-033	Anvil Collar	1	30	305S-028	Screw	4
7	00-4103	O-Ring	1	31	305H-024	Trigger	1
8C	305N-011NA4	Anvil	1	32	00-4101	O-Ring	1
	305V-011NB4	2" Anvil		33	00-3335	Spring Pin	1
9	305N-016	Hammer Pin	2	34	00-3308	Spring Pin	1
10	305N-017B	Hammer	2	35	306-027-B	Bushing	1
11	305N-012	Hammer Cage	1	36	306-026	Valve Stem	1
13	00-2313	Ball Bearing	1	37	305F-026-B	Spring	1
14D	305N-005-B	Front End Plate	1	38	305H-021	Exhaust Deflector	1
15	305N-007	Rotor	1	39	00-4126	O-Ring	1
16	305N-008D	Rotor Blade	6	40	00-4143	O-Ring	1
17	305N-006B	Cylinder	1	41	305F-032	Washer	1
	305F-033-B	Valve Sleeve Gasket	1	42	305F-025A-B	Air Inlet (1/4" PF)	1
	305H-029C	Valve Sleeve	1		305F-025C-B	Air Inlet (1/4" NPT)	
	00-2305	Ball Bearing	1	43	305H-027	Muffler	1
19	00-3355	Spring Pin	1	44	00-6204	Cap Screw	1
20	305H-041	Square Ring	1	45E	305H-019B-B	Exhaust Tube	1
21	305P-022	Regulator Knob	1	46	243H-027	Muffler	1
22	305Q-021C	Regulator	1	47	00-4121	O-Ring	1
23	305F-034B	Spring	1	48B	00-3435	Pin	1
24	00-3805	Steel Ball	1				

**Tune-up Kits**

1150-PK

Includes Nos. 5, 6, 7, 16(6), 25, 26, 35, 40

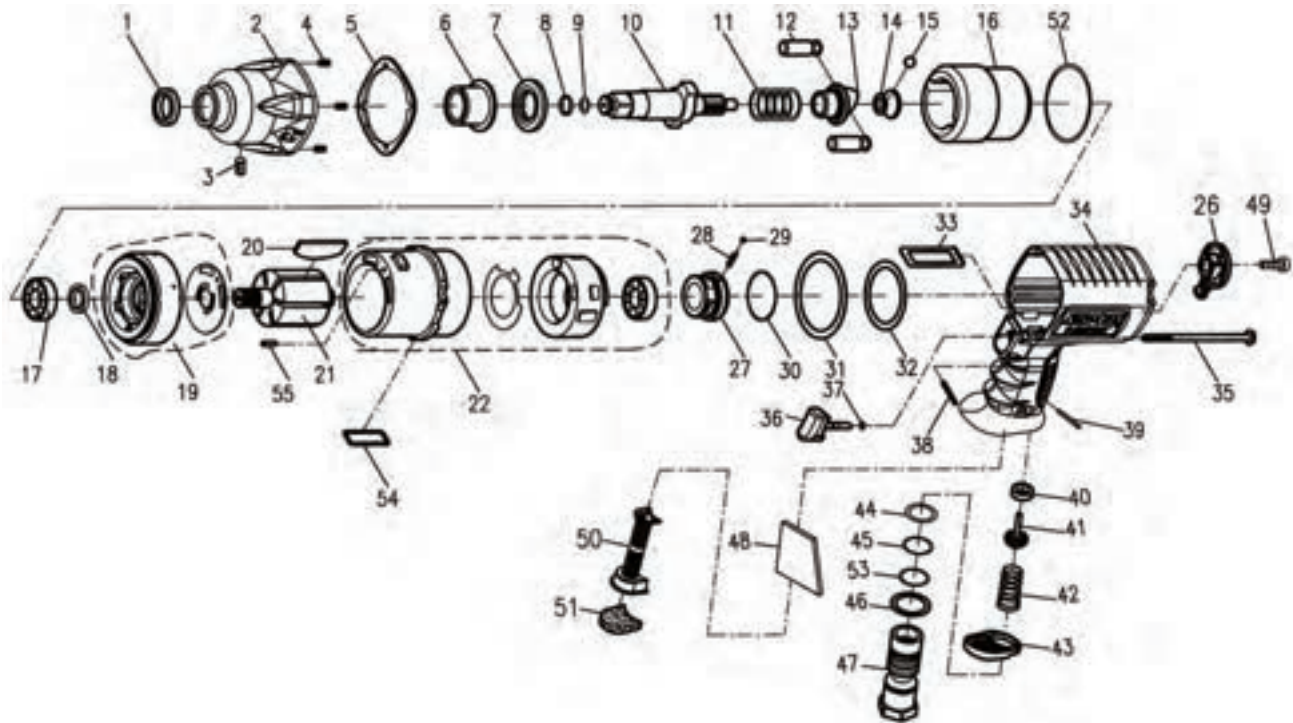


Ref No.	Part No.	Description	Qty	Ref No.	Part No.	Description	Qty
1	00-4202	Oil Seal	1	27D	305Q-021C	Regulator	1
2H	305T-002	Hammer Case	1	28B	305F-034B	Spring	1
3	00-0612	Set Screw	1	29	00-3805	Steel Ball	1
4	00-4302	Inserts Recoil	4	30	00-4174	O-Ring	1
5B	305P-020-B	Front Gasket	1	31	305F-030	Rear Gasket	1
6	305I-010	Anvil Bushing	1	32	305F-031	Washer	1
7I	307C-033	Spacer	1	33	305F-019	Air Channel Gasket	1
8	250-033	Anvil Collar	1	34	305T-001	Motor Housing	1
9	00-4103	O-Ring	1	35	305S-028	Screw	4
10I	307C-011NA4	Anvil	1	36	305H-024	Trigger	1
	307C-011NB4	2" Anvil		37	00-4101	O-Ring	1
11E	300-018B	Spring	1	38	00-3335	Spring Pin	1
12I	307C-016	Hammer Pin	2	39	00-3308	Spring Pin	1
13I	307C-013	Cam	1	40	306-027-B	Bushing	1
14I	307C-014	Cam Foundation	1	41	306-026	Valve Stem	1
15I	00-3831	Steel Ball	1	42	305F-026-B	Spring	1
16I	307C-012	Hammer Cage	1	43	305H-021	Exhaust Detector	1
17C	00-2349	Ball Bearing	1	44	00-4126	O-Ring	1
18C	00-4233	Oil Seal	1	45	00-4143	O-Ring	1
19J	305T-005B-B	Front End Plate	1	46	305F-032	Washer	1
	305T-020	End Plate Washer	1	47	305F-025C-B	Air Inlet (1/4" NPT)	1
20	305H-008D	Rotor Blade	6	48	305H-027	Muffler	1
21C	305T-007N	Rotor	1	49F	00-6204	Cap Screw	1
22D	305H-006C	Cylinder	1	50K	305H-019B-B	Exhaust Tube	1
	305F-033-B	Valve Sleeve Gasket	1	51	243H-027	Muffler	1
	305H-029C	Valve Sleeve	1	52	00-4120	O-Ring	1
	00-2305	Ball Bearing	1	53	00-4121	O-Ring	1
	00-3355	Spring Pin	1	54	305H-041	Square Ring	1
				•	1200-KPKA	Tune-Up Kit for 1200-K	1

• **Tune Up Kits**

1200-KPKA

Includes Nos. 1, 5B, 8, 9, 12I(2), 13I, 14I, 20(6), 30, 31, 40, 44 04/24



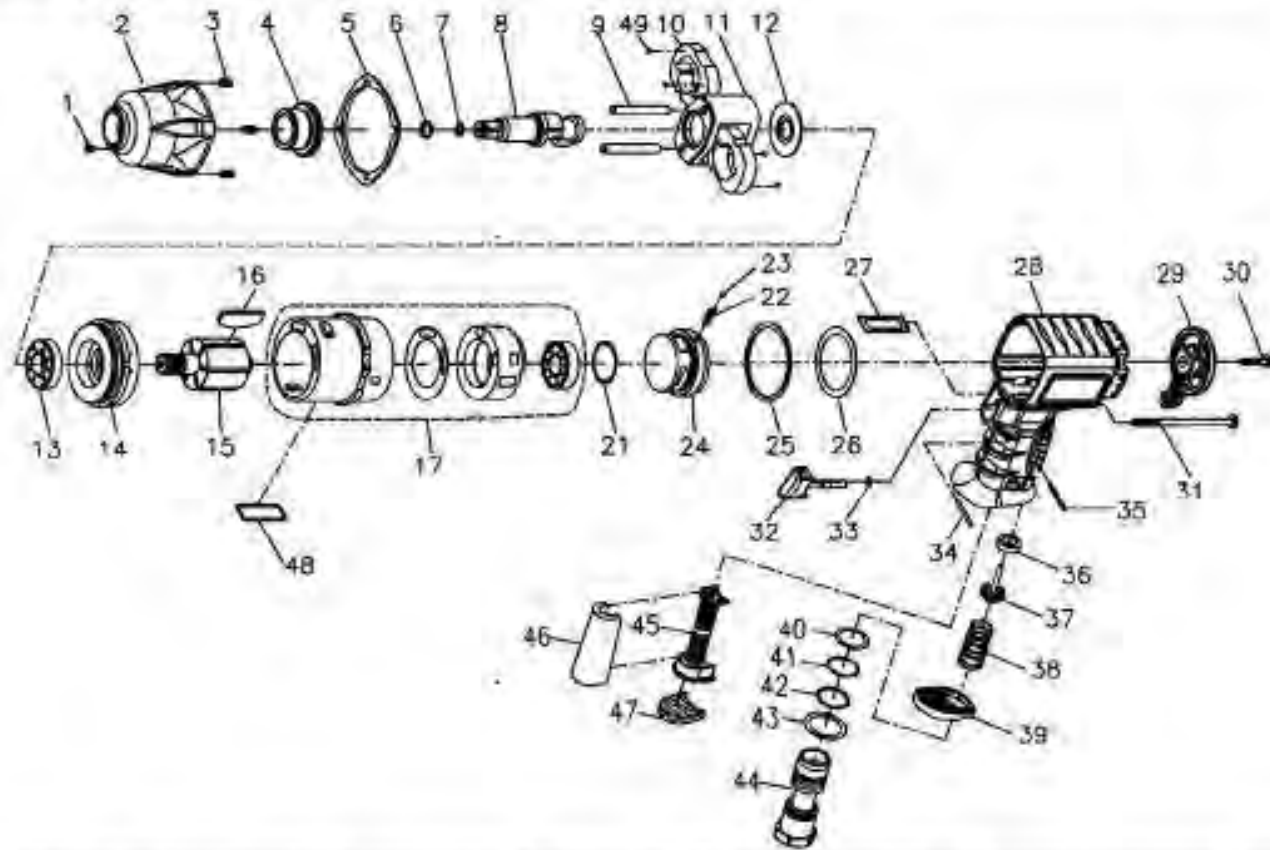
Ref #	Part Number	Description	Qty
1	SC801-01	Oil Seal	1
2	305T-002	Hammer Case	1
3	SC602-13	Set Screw	1
4	00-4302	Inserts Recoil	4
5	305P-020-B	Front Gasket	1
6	305I-010	Anvil Bushing	1
7	307C-033	Spacer	1
8	SC800-07	Anvil Collar	1
9	SC801-08	O-Ring	1
10	307C-011NA4	Anvil	1
	307C-011NB4	2" Anvil	
11	SC801-07	Spring	1
12	307C-016	Hammer Pin	2
13	307C-013	Cam	1
14	307C-014	Cam Foundation	1
15	00-3831	Steel Ball	1
16	307C-012	Hammer Cage	1
17	00-2349	Ball Bearing	1
18	00-4233	Oil Seal	1
19	305T-005B	Front End Plate	1
20	305N-008D	Rotor Blade	6
21	307C-007	Rotor	1
22	305N-006B	Cylinder	1
26	SC100-10	Valve Sleeve Gasket	1
	305H-029C	Valve Sleeve	1
	SC800-24	Ball Bearing	1
	305P-022	Regulator Knob	1
27	305Q-021C	Regulator	1

Ref #	Part Number	Description	Qty.
28	305F-034B	Spring	1
29	SC100-15	Steel Ball	1
30	SC100-16	O-Ring	1
31	SC100-17	Rear Gasket	1
32	SC100-18	Washer	1
33	SC100-19	Air Channel Gasket	1
34	307C-001	Motor Housing	1
35	307B-028	Screw	4
36	SC100-22	Trigger	1
37	SC100-23	O-Ring	1
38	SC100-24	Spring Pin	1
39	SC800-19	Spring Pin	1
40	SC200-30	Bushing	1
41	SC200-31	Valve Stem	1
42	SC100-25	Spring	1
43	SC100-26	Exhaust Deflector	1
44	SC100-27	O-Ring	1
45	SC100-28	O-Ring	1
46	SC100-29	Washer	1
47	SC100-30	Air Inlet (1/4" NPT)	1
48	305H-027	Muffler	1
49	00-6204	Cap Screw	1
50	305H-019B	Exhaust Tube	1
51	243H-027	Muffler	1
52	SC801-15	O-Ring	1
53	SC100-31	O-Ring	1
54	305H-0041	Square Ring	1
55	00-3435	Pin	1

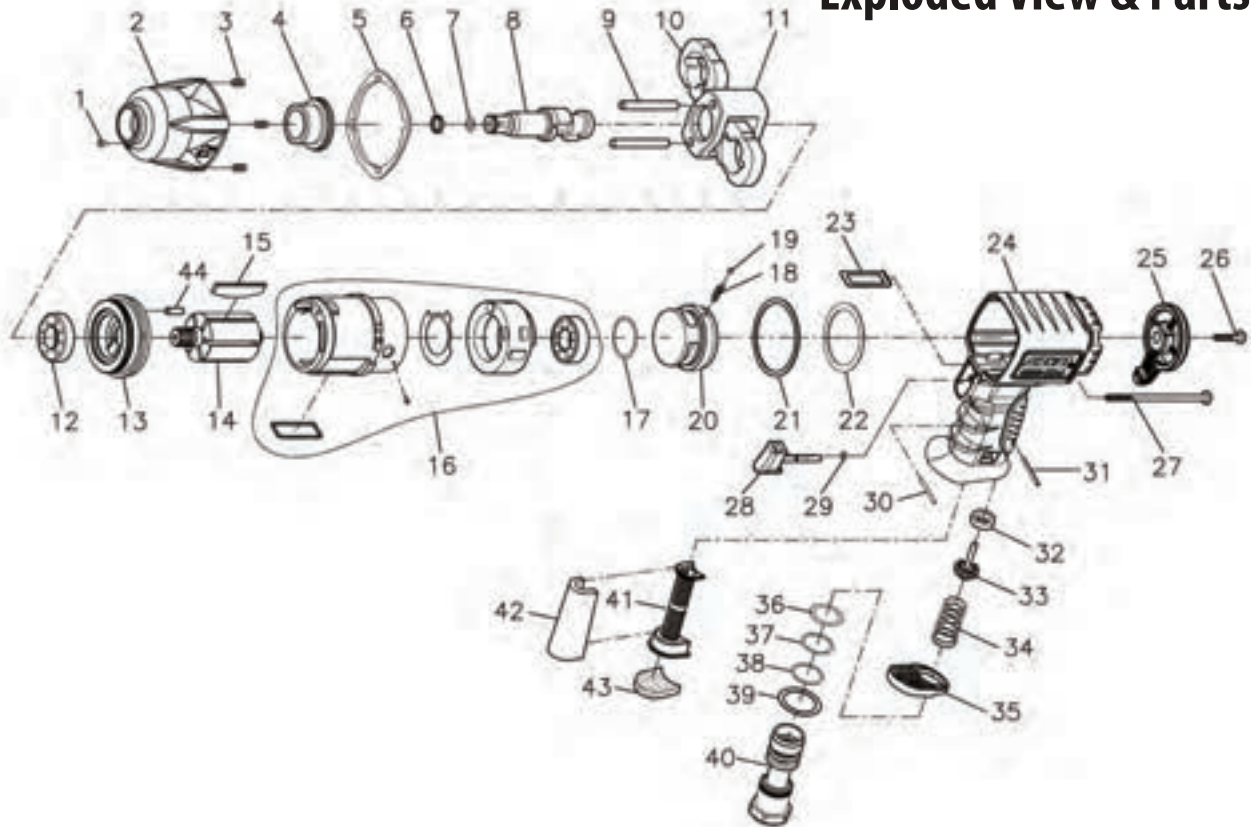
**Tune Up Kits**

1250-KPK

Includes Nos. 11, 5, 8, 9, 12(2), 14, 20(6), 30,31,40,44



Ref. No.	Part No.	Description	Qty	Ref. No.	Part No.	Description	Qty
1	SC100-03	Grease Fitting	1	26	243F-031	Washer	1
2	243J-SH-002B	Hammer Case	1	27	243F-019	Air Channel Gasket	1
3	00-4302	Inserts Recoil	4	28	243L-001A)	Motor Housing	1
4	SC601-03	Anvil Bushing	1	29	243J-022	Regulator Knob	1
5	243H-020	Front Gasket	1	30	00-1303	Cap Screw	1
6	SC601-04	Anvil Collar	1	31	243H-028	Screw	4
7	SC601-05	O-Ring	1	32	243H-024	Trigger	1
8	243F-SH-011NA3	Anvil(3/8" Square)	1	33	SC100-23	O-Ring	1
9	243F-SH-016	Hammer Pin	2	34	00-3346	Spring Pin	1
10	243F-SH-017	Hammer	2	35	SC800-19	Spring Pin	1
11	243F-SH-012	Hammer Cage	1	36	SC200-30	Bushing	1
12	SC601-11	Rear Washer	1	37	SC200-31	Valve Stem	1
13	SC601-16	Ball Bearing	1	38	243H-023	Spring	1
14	243F-005	Front End Plate	1	39	243H-021	Exhaust Deflector	1
15	243F-007	Rotor	1	40	SC100-27	O-Ring	1
16	243F-008D	Rotor Blade	6	41	SC100-28	O-Ring	1
17	243F-006B	Cylinder	1	42	SC100-31	O-Ring	1
	243F-033	Valve Sleeve Gasket	1	43	SC100-29	Washer	1
	243F-029	Valve Sleeve	1	44	SC100-30	Air Inlet (1/4" NPT)	1
	SC601-25	Ball Bearing	1	45	243H-019B	Muffler Tube	1
21	00-4158	O-Ring	1	46	243H-026	Muffler	1
22	305F-034	Spring	1	47	243H-027	Muffler	1
23	SC100-15	Steel Ball	1	48	243F-041	Square Ring	1
24	243J-021	Regulator	1	49	00-3815	Steel Ball	4
25	243F-030	Rear Gasket	1				



Ref #	Part Number	Description	Qty
1	00-4603	Grease Fitting	1
2	243J-SH-002D	Hammer Case	1
3	00-4302	Inserts Recoil	4
4	242-010B	Anvil Bushing	1
5	243H-020	Front Gasket	1
6	242-026	Anvil Collar	1
7	00-4144	O-Ring	1
8	243L-011NA3	Anvil	1
9	243L-016	Hammer Pin	2
10	243L-017B	Hammer	2
11	243L-012	Hammer Cage	1
12	00-2306	Ball Bearing	1
13	243L-005	Front End Plate	1
14	243L-007B	Rotor	1
15	243L-008D	Rotor Blade	6
16	243L-006	Cylinder	1
	243F-033-B	Valve Sleeve Gasket	1
	243F-029	Valve Sleeve	1
	00-2326	Ball Bearing	1
	00-3328	Spring Pin	1
	243F-041	Square Ring	1
17	00-4158	O-Ring	1
18	305F-034	Spring	1
19	00-3805	Steel Ball	1
20	243J-021	Regulator	1

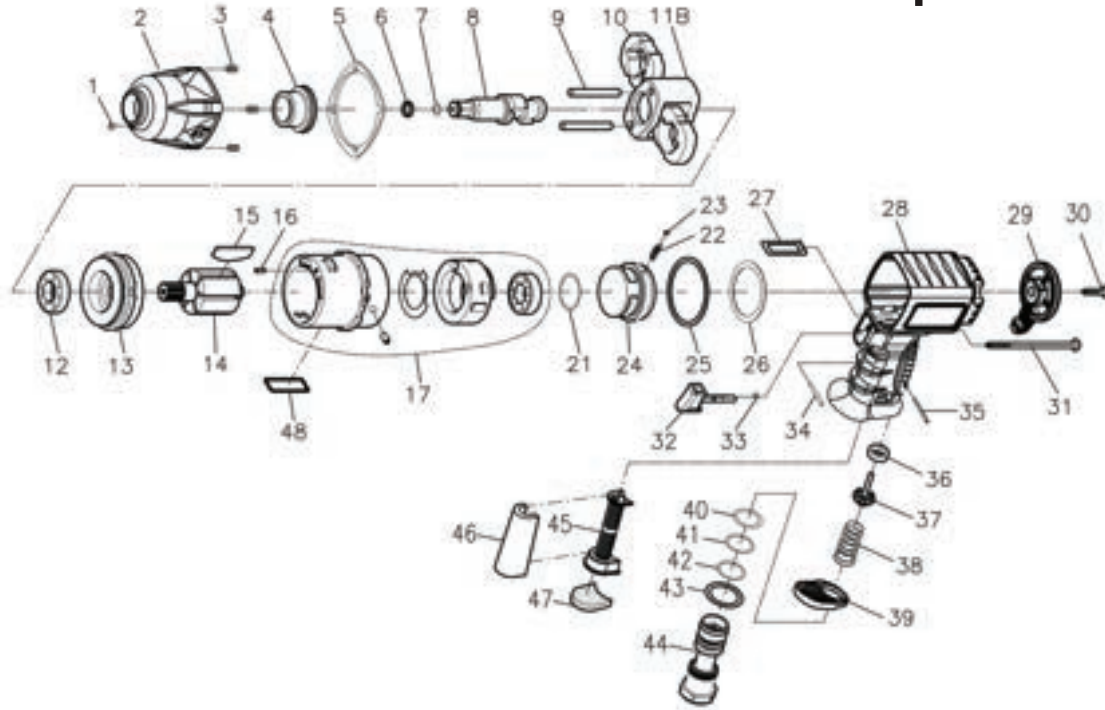
Ref #	Part Number	Description	Qty.
21	243F-030	Rear Gasket	1
22	243F-031	Washer	1
23	243F-019	Air Channel Gasket	1
24	243L-001AI1300-A	Motor Housing	1
25	243J-022	Regulator Knob	1
26	00-6203	Cap Screw	1
27	243H-028	Screw	4
28	243H-024	Trigger	1
29	00-4101	O-Ring	1
30	00-3335	Spring Pin	1
31	00-3308	Spring Pin	1
32	306-027-B	Bushing	1
33	306-026	Valve Stem	1
34	243H-023	Spring	1
35	243H-021	Exhaust Deflector	1
36	00-4126	O-Ring	1
37	00-4143	O-Ring	1
38	00-4127	O-Ring	1
39	305F-032	Washer	1
40	305F-025C-B	Air Inlet (1/4" NPT)	1
40	305F-025C-B-1	Air Inlet (1/4" BSP)	1
41	243H-019B	Exhaust Tube	1
42	243H-026	Felt	1
43	243H-027	Non woven	1
44	00-3435	Pin	1



1355-XL 3/8" "XTREME POWER" IMPACT WRENCH

1375-XL 1/2" "XTREME POWER" IMPACT WRENCH

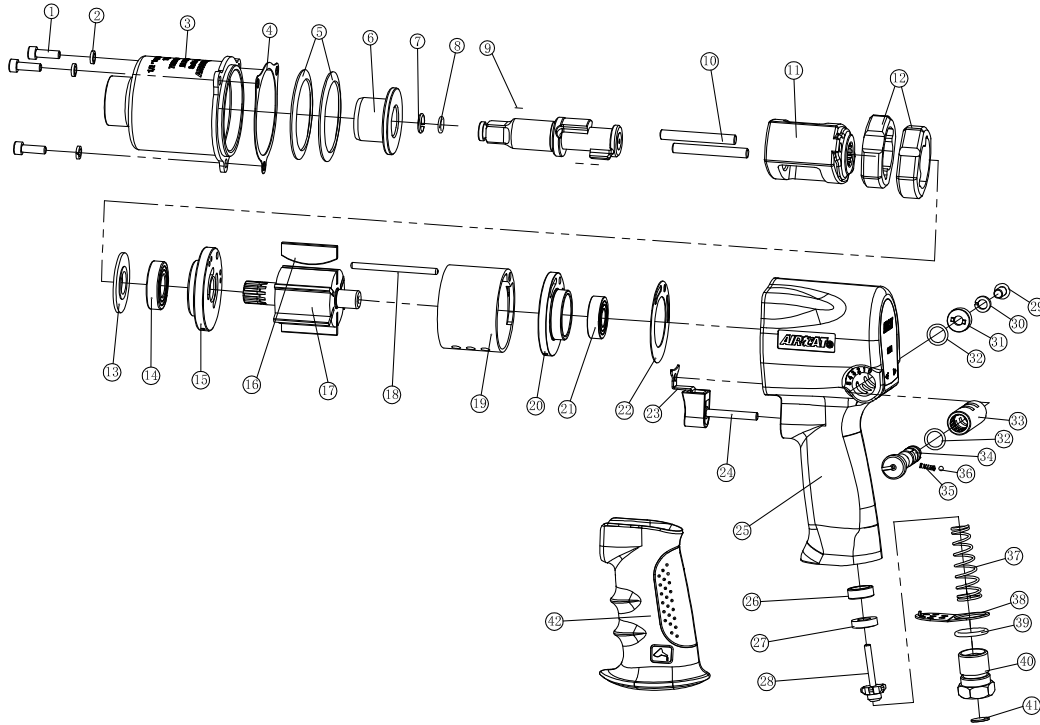
## Exploded View & Parts List



Ref No.	Part No.	Description	Q'ty	Ref No.	Part No.	Description	Q'ty
1	00-4603	Grease Fitting	1	24	243J-021	Regulator	1
2	243J-SH-002D	Hammer Case	1	25	243F-030	Rear Gasket	1
3	00-4302	Inserts Recoil	4	26	243F-031	Washer	1
4	242-010B	Anvil Bushing	1	27	243F-019	Air Channel Gasket	1
5	243H-020	Front Gasket	1	28	243M-001NI-B	Motor Housing (1355-XL)	1
6	242-026	Anvil Collar (3/8")	1	28	243M-001NI	Motor Housing (1375-XL)	1
	250-033	Anvil Collar (1/2")		29	243J-022	Regulator Knob	
7	00-4144	O-Ring (3/8")	1	30	00-6203	Cap Screw	1
	00-4103	O-Ring (1/2")		31	243H-028	Screw	4
8	243L-011NA3	Anvil (3/8" Square)	1	32	243H-024	Trigger	1
	243L-011NA4	Anvil (1/2" Square)		33	00-4101	O-Ring	1
9	243L-016	Hammer Pin	2	34	00-3326	Spring Pin	1
10	243L-017B	Hammer	2	35	00-3308	Spring Pin	1
11B	243L-012-B	Hammer Cage	1	36	306-027-B	Bushing	1
12	00-2306	Ball Bearing	1	37	306-026	Valve Stem	1
13	243L-005	Front End Plate	1	38	243H-023	Spring	1
14	243L-007	Rotor	1	39	243H-021	Exhaust Deflector	1
15	243L-008D	Rotor Blade	6	40	00-4126	O-Ring	1
16	00-3435	Pin	1	41	00-4143	O-Ring	1
17	243L-006	Cylinder	1	42	00-4127	O-Ring	1
	243F-033-B	Valve Sleeve Gasket	1	43	305F-032	Washer	1
	243F-029	Valve Sleeve	1	44	305F-025C-B	Air Inlet (1/4" NPT)	1
	00-2326	Ball Bearing	1	45	243H-019B	Exhaust Tube	1
	00-3328	Spring Pin	1	46	243H-026	Felt	1
21	00-4158	O-Ring	1	47	243H-027	Non woven	1
22	305F-034	Spring	1	48	243F-041	Square Ring	1
23	00-3805	Steel Ball	1				

Tune-up Kits 1375-XLPK

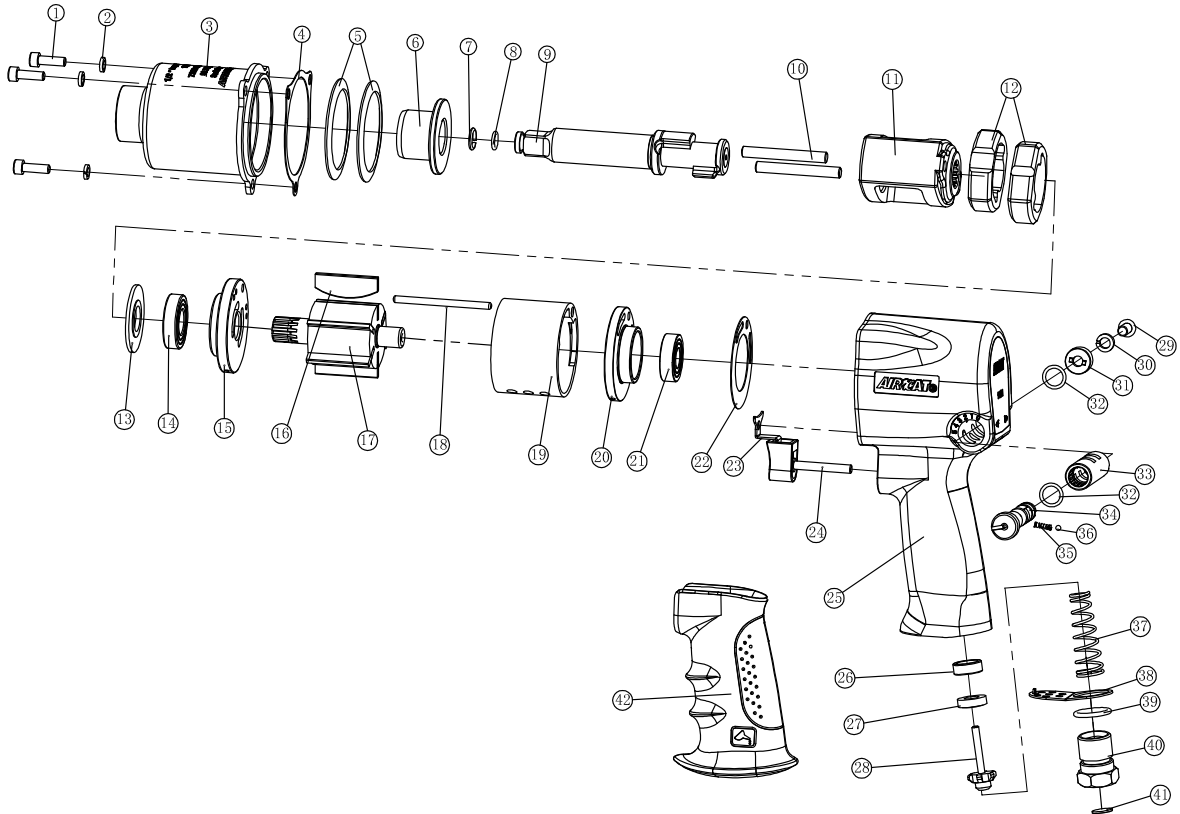
Includes Nos. 5, 6, 7, 15(6), 21, 25, 27, 33



Ref #	Part number	Description	Qty
1	1431-01	Hex screw	3
2	1431-02	Washer	3
3	1431-03	Hammer case	1
4	1431-04	Gasket	1
5	1431-05	Spring washer	2
6	1431-06	Anvil bushing	1
7	1431-07	Retainer ring	1
8	1431-08	O ring	1
9	1431-09	Anvil( standard anvil)	1
10	1431-10	Hammer pin	2
11	1431-11	Hammer cage	1
12	1431-12	Hammer dog	2
13	1431-13	Steel plate	1
14	1431-14	Bearing	1
15	1431-15	Front end plate	1
16	1431-16	Rotor blade	6
17	1431-17	Rotor	1
18	1431-18	Dowel pin	1
19	1431-19	Cylinder	1
20	1431-20	Rear end plate	1
21	1431-21	Bearing	1

Ref #	Part number	Description	Qty.
22	1431-22	Gasket	1
23	1431-23	Retainer plate	1
24	1431-24	Trigger assembly	1
25	1431-25	Housing	1
26	1431-26	Inlet gasket	1
27	1431-27	Rubber gasket	1
28	1431-28	Throttle valve	1
29	1431-29	Hex screw	1
30	1431-30	Washer	1
31	1431-31	Air regulator valve	1
32	1431-32	O ring	2
33	1431-33	Air regulator bushing	1
34	1431-34	Air regulator body	1
35	1431-35	Spring	1
36	1431-36	Steel ball	1
37	1431-37	Inlet spring	1
38	1431-38	Air exhaust deflector	1
39	1431-39	O ring	1
40	1431-40	Air inlet fitting	1
41	1431-41	Air inlet screen	1
42	1431-42	Handle grip	1

**Tune Up Kit**  
1431-PK  
Includes Nos.4,7,8,16(6),22,27,32,39



Ref #	Part number	Description	Qty
1	1431-01	Hex screw	3
2	1431-02	Washer	3
3	1431-03	Hammer case	1
4	1431-04	Gasket	1
5	1431-05	Spring washer	2
6	1431-06	Anvil bushing	1
7	1431-07	Retainer ring	1
8	1431-08	O ring	1
9	1431-09E	Anvil( extension anvil)	1
10	1431-10	Hammer pin	2
11	1431-11	Hammer cage	1
12	1431-12	Hammer dog	2
13	1431-13	Steel plate	1
14	1431-14	Bearing	1
15	1431-15	Front end plate	1
16	1431-16	Rotor blade	6
17	1431-17	Rotor	1
18	1431-18	Dowel pin	1
19	1431-19	Cylinder	1
20	1431-20	Rear end plate	1
21	1431-21	Bearing	1

Ref #	Part number	Description	Qty.
22	1431-22	Gasket	1
23	1431-23	Retainer plate	1
24	1431-24	Trigger assembly	1
25	1431-25	Housing	1
26	1431-26	Inlet gasket	1
27	1431-27	Rubber gasket	1
28	1431-28	Throttle valve	1
29	1431-29	Hex screw	1
30	1431-30	Washer	1
31	1431-31	Air regulator valve	1
32	1431-32	O ring	2
33	1431-33	Air regulator bushing	1
34	1431-34	Air regulator body	1
35	1431-35	Spring	1
36	1431-36	Steel ball	1
37	1431-37	Inlet spring	1
38	1431-38	Air exhaust deflector	1
39	1431-39	O ring	1
40	1431-40	Air inlet fitting	1
41	1431-41	Air inlet screen	1
42	1431-42	Handle grip	1

**Tune Up Kit**

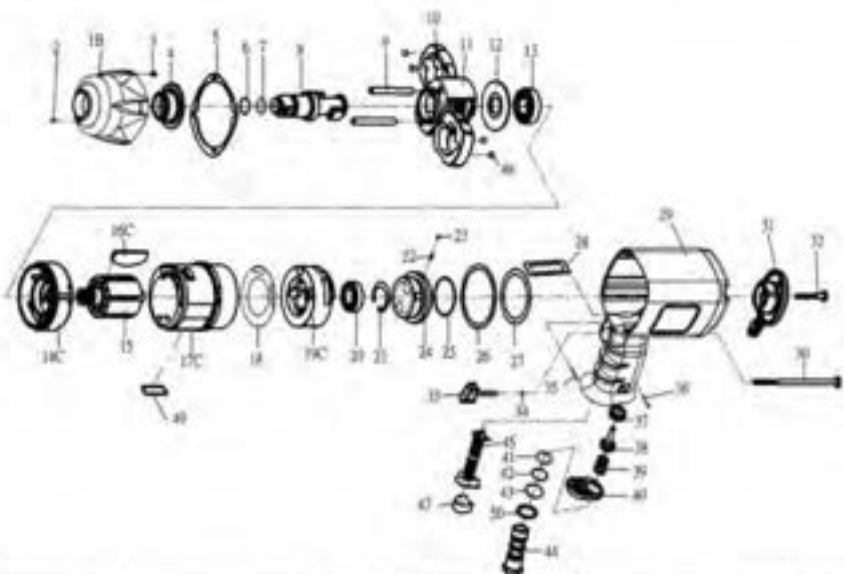
1431-2-PK

Includes Nos. 4,7,8,16(6),22,27,32,39

# AIRCAT<sup>®</sup>

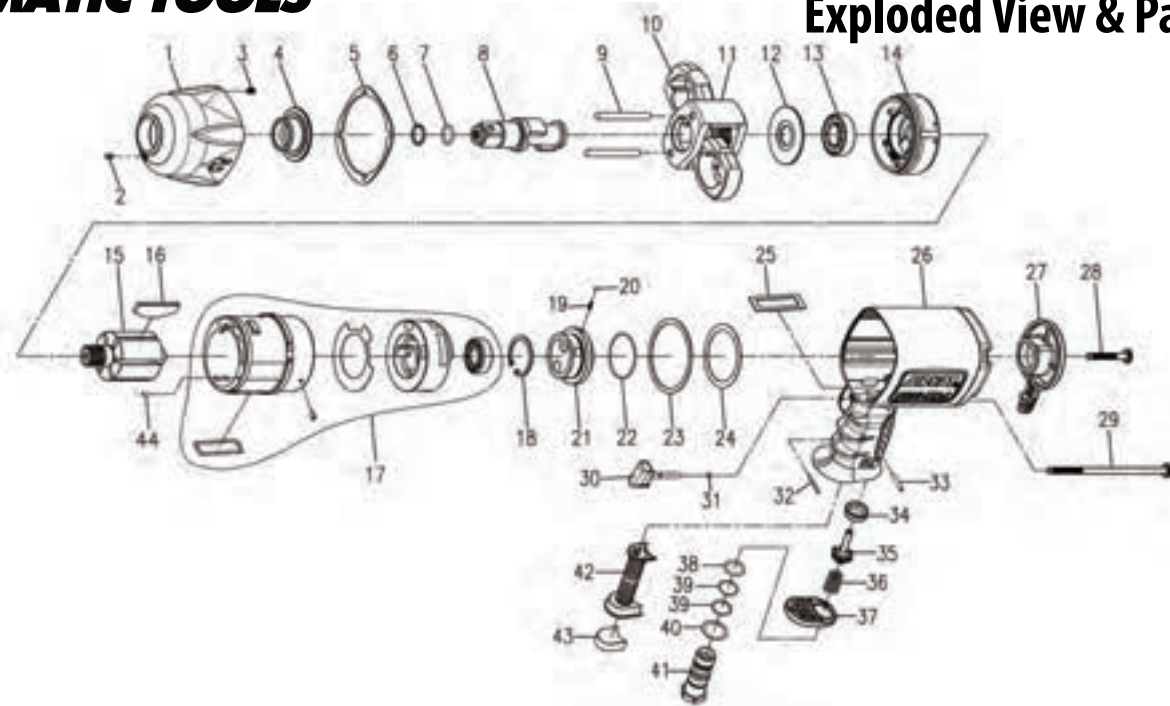
PNEUMATIC TOOLS

Composite Impact Wrench, Twin Hammer  
 #1600-TH Gray / Clear coated Clutch



Ref. No.	Part No.	Description	Qty	Ref. No.	Part No.	Description	Qty
1B	278J-002B	Hammer Case	1	26	278F-030	Rear Gasket	1
2	SC100-03	Grease Fitting	1	27	278F-031	Washer	1
3	00-4306	Inserts Recoil	4	28	278F-019	Air Channel Gasket	1
4	278F-010	Anvil Bushing	1	29	278J-001	Motor Housing	1
5	278F-020	Front Gasket	1	30	278F-028	Screw	4
6	SC200-07	Anvil Collar	1	31	278J-022	Regulator Knob	1
7	SC202-06	O-Ring	1	32	00-1307	Cap Screw	1
8	278F-011A6	Anvil	1	33	278H-024	Trigger	1
9	SC201-07	Hammer Pin	2	34	SC100-23	O-Ring	1
10	278F-017	Hammer	2	35	00-3351	Spring Pin	1
11	278F-012	Hammer Cage	1	36	SC800-19	Spring Pin	1
12	SC200-12	Rear Washer	1	37	SC200-30	Bushing	1
13	SC200-13	Ball Bearing	1	38	SC200-31	Valve Stem	1
14C	278F-005B	Front End Plate	1	39	278H-026	Spring	1
15	278F-007	Rotor	1	40	278H-021	Exhaust Deflector	1
16C	277-008	Rotor Blade	6	41	00-4126	O-Ring	1
17C	278F-006B	Cylinder	1	42	SC100-28	O-Ring	1
18	278F-033	Valve Sleeve Gasket	1	43	SC100-31	O-Ring	1
19C	278F-029B	Valve Sleeve	1	44	278F-025C	Air Inlet(3/8" NPT-18)	1
20	SC200-22	Ball Bearing	1	45	278H-019	Exhaust Tube	1
21	00-3111	Snap Ring	1	47	278H-028	Muffler	1
22	305F-034	Spring	1	48	00-3821	Steel Ball	4
23	SC100-15	Steel Ball	1	49	278F-041	Square Ring	1
24	278J-021	Reverse Valve	1	50	SC100-29	Washer	1
25	00-4179	O-Ring	1				

Tune Up Kit 1600-THPK OR 1600-TH-APK  
 Includes Part Nos. 5, 6, 7, 16(6), 22, 23, 34, 38



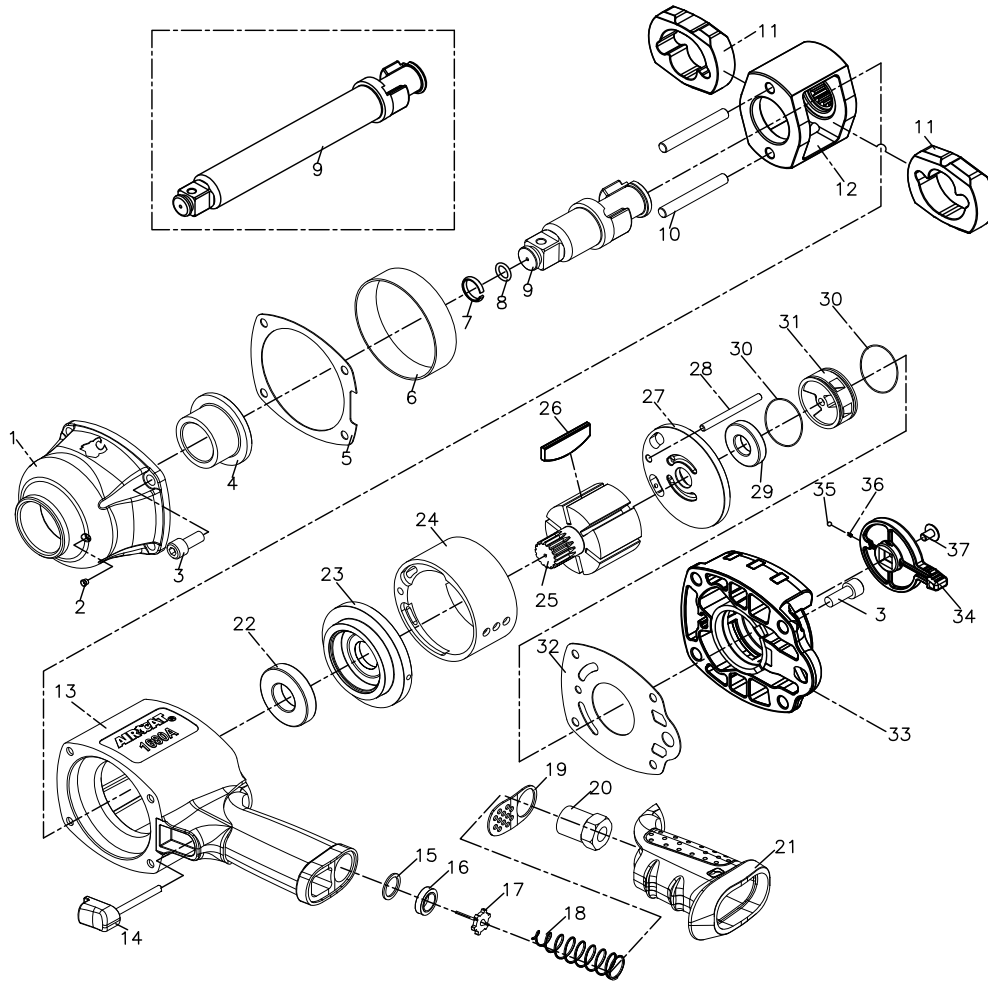
Ref #	Part Number	Description	Qty
1	278J-002B	Hammer Case	1
2	00-4603	Grease Fitting	1
3	00-4306	Inserts Recoil	4
4	278F-010	Anvil Bushing	1
5	278F-020	Front Gasket	1
6	280-028	Anvil Collar	1
7	00-4175	O-Ring	1
8	278J-011A6	Anvil	1
9	285C-016	Hammer Pin	2
10	278J-017B	Hammer	2
11	278D-012	Hammer Cage	1
12	278-019-B	Rear Washer	1
13	00-2373	Ball Bearing	1
14	278J-005B	Front End Plate	1
15	278J-007	Rotor	1
16	278J-008D	Rotor Blade	6
17	278J-006B	Cylinder	1
	278F-033	Valve Sleeve Gasket	1
	278F-029	Valve Sleeve	1
	00-2304	Ball Bearing	1
	00-3355	Spring Pin	1
	278F-041	Square Ring	1
18	00-3111	Snap Ring	1
19	305F-034	Spring	1
20	00-3805	Steel Ball	1

Ref #	Part Number	Description	Qty.
21	278J-021	Reverse Valve	1
22	00-4179	O-Ring	1
23	278F-030	Rear Gasket	1
24	278F-031	Washer	1
25	278F-019	Air Channel Gasket	1
26	278J-001A 1600A-B	Motor Housing	1
27	278J-022	Regulator Knob	1
28	00-6202	Cap Screw	1
29	278F-028	Screw	4
30	278H-024	Trigger	1
31	00-4101	O-Ring	1
32	00-3351	Spring Pin	1
33	00-3308	Spring Pin	1
34	306-027-B	Bushing	1
35	306-026	Valve Stem	1
36	278H-026	Spring	1
37	278H-021	Exhaust Deflector	1
38	00-4126	O-Ring	1
39	00-4143	O-Ring	2
40	305F-032	Washer	1
41	278F-025C	Air Inlet (3/8" NPT-18)	1
41	278F-025C-1	Air Inlet (3/8" BSP)	1
42	278H-019	Exhaust Tube	1
43	278H-028	Non Woven	1
44	00-3435	Pin	1

**Tune Up Kits**

1600-TH-APK

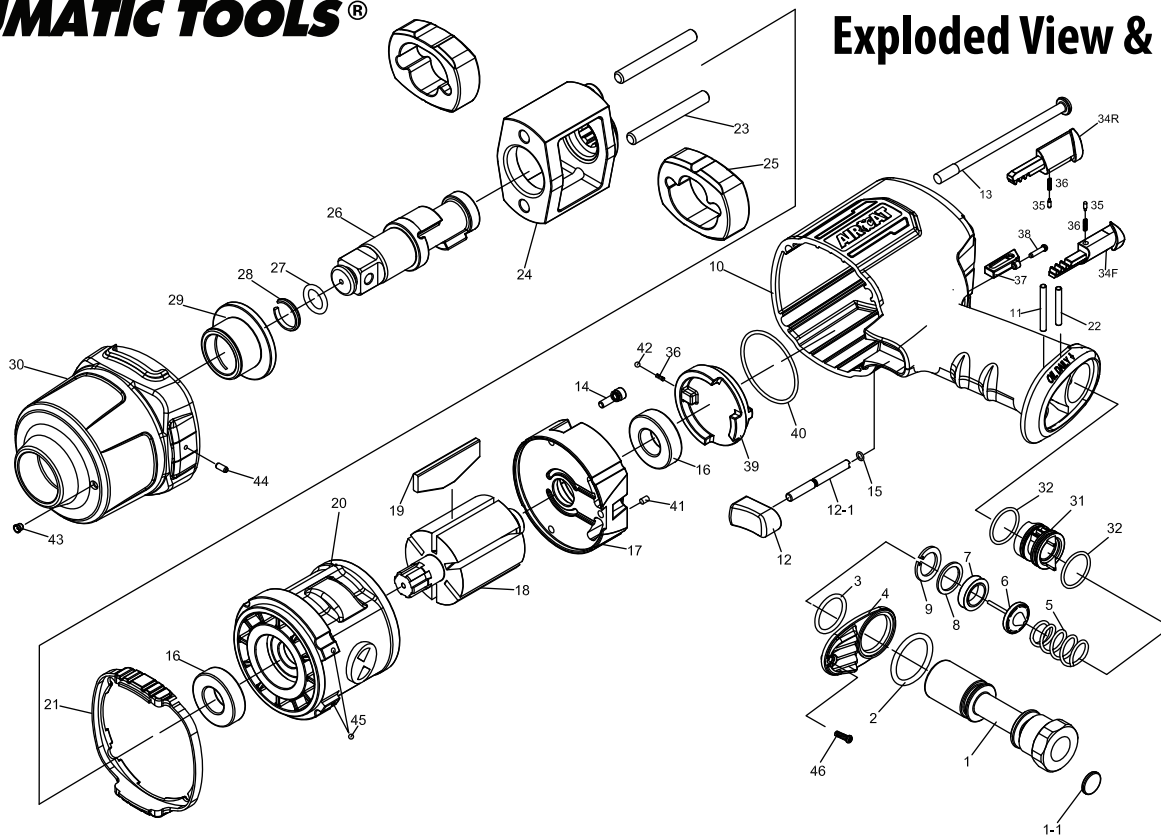
Includes Nos.5, 6, 7, 16(6), 22, 23, 34, 38



Ref #	Part Number	Description	Qty
1	9283401-CAT	Hammer Housing	1
2	9638047	Grease Fitting	1
3	9M822	Screw	8
4	9283404	Bushing	1
5	9283405	Hammer Housing Gasket	1
6	9283406	Collar	1
7	9223429	Socket Retainer	1
8	90R1025	Retainer O-Ring	1
9	9283409	3/4" Anvil for 1680-A	1
* 09	9283409-6L	3/4" Anvil for 1680-A-6	1
10	9283410	Hammer Pin	2
11	9283411	Hammer	2
12	9283412	Hammer Frame	1
13	9283413-CAT	Housing	1
14	9283414	Trigger Assy	1
15	9623408	Washer	1
16	9263405	Throttle Valve Seat	1
17	9263404	Throttle Valve	1
18	9283418	Throttle Valve Spring	1

Ref #	Part Number	Description	Qty
19	9263402	Exhaust Deflector	1
20	9263401	3/8" Inlet Bushing	1
21	9283421-CAT	Grip Sleeve	1
22	9R14	Ball Bearing	1
23	9283423	Front Plate	1
24	9283424	Cylinder	1
25	9283425	Rotor	1
26	9283426	Blade	6
27	9283427	Rear Plate	1
28	9P0558	Pin	1
29	9R10	Ball Bearing	1
30	90R3818	O-Ring	2
31	9283431	Reverse Valve	1
32	9283432	Housing Gasket	1
33	9283434-BK	Housing Cap with Valve Bushing	1
34	9283435-BK	Reverse Valve Knob	1
35	9SB0003-1	Steel Ball	1
36	9231215	Spring	1
37	9M510	Screw	1
●	1680-A-PK	Tune-Up Kit for 1680-A	1

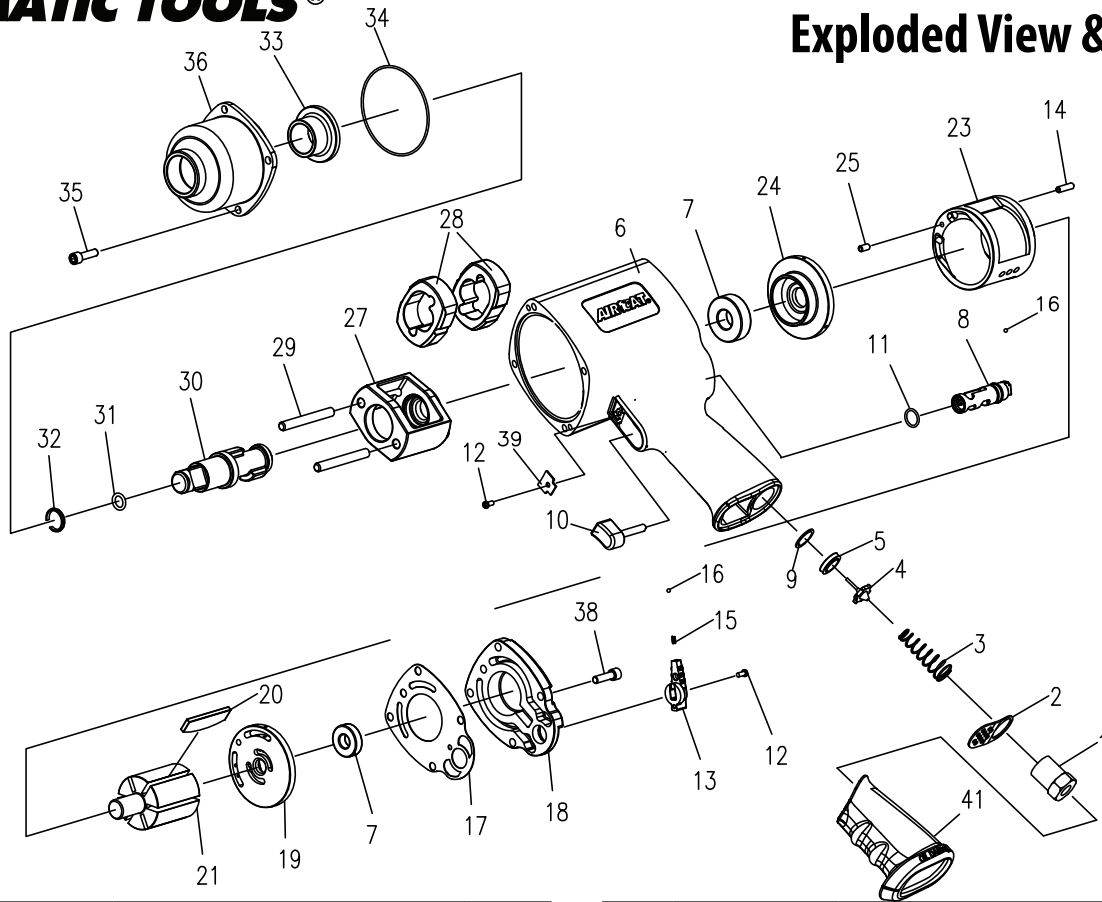
● Tune Up Kit for 1680-A  
Includes Part Nos. 5, 7, 8, 16, 26 (6), 30 (2), 32



Ref #	Part Number	Description	Qty
1	9623401	AIR INLET (W/FILTER)	1
2	90R2402	O-RING	1
3	90R18726	O-RING	1
4	9623405	DEFLECTOR	1
5	9638006	SPRING	1
6	9263404	VALVE STEM	1
7	9263405	VALVE SEAT	1
8	9623408	WASHER	1
9	9623409	RETAINER RING	1
10	9623410-CAT	MOTOR HOUSING - AIRCAT	1
11	9863807CG	SPRING PIN	1
12	9621214T-BK	TRIGGER	1
12-1	9623414P	TRIGGER PIN	1
13	9623413	BOLT	4
14	9623414	SCREW	3
15	90R2512	O-RING	1
16	9B6003ZZ	BALL BEARING	2
17	9623417	END PLATE	1
18	9263422-5	ROTOR	1
19	9233423C	BLADE	5
20	9623420	CYLINDER	1
21	9623421-BK	GASKET	1
22	9623403	SPRING PIN	1
23	9263429	HAMMER PIN	2

Ref #	Part Number	Description	Qty.
24	9263427	HAMMER CAGE	1
25	9263428	HAMMER	2
26	9263430	ANVIL	1
27	90R1025	O-RING	1
28	9223429	SOCKET RETAINER	1
29	9263433	BUSHING	1
30	9623430-TI	HAMMER CASE	1
31	9623424	REVERSE VALVE	1
32	90R2002	O-RING	2
34F	9623429F-BK	FORWARD BUTTON	1
34R	9623429R-BK	REVERSE BUTTON	1
35	9328814	DETENT PIN	2
36	9621238	SPRING	3
37	9623428	SPACER	1
38	9633809-1	SCREW	1
39	9623440-RD	POWER MANAGEMENT KNOB	1
40	90R45502	O-RING	1
41	9589040	SPRING PIN	1
42	9SB0003-1	STEEL BALL	1
43	9638047	GREASE FITTING	1
44	9SPP2508	SPRING PIN	1
45	9SB0003	STEEL BALL	2
46	9623431	SCREW	1
●	1770-XLPK	Tune-Up Kit for 1770-XL	1

● Tune-Up Kit for 1770-XL  
Includes Part Nos. 2, 3, 15, 19 (5), 21, 27, 28, 32 (2), 40



Ref #	Part Number	Description	Qty
1	9263401	3/8" INLET BUSHING	1
2	9263402	EXHAUST DELFECTOR	1
3	9328803XP	THROTTLE VALVE SPRING	1
4	9263404	THROTTLE VALVE	1
5	9263405	THROTTLE VALVE SEAT	1
6	9263406-CAT	MOTOR HOUSING - AIRCAT	1
7	96003ZZ	BALL BEARING	2
8	9221207	REVERSE VALVE	1
9	9263408	WASHER	1
10	9221214	TRIGGER ASSY	1
11	90R1712	O-RING	1
12	9221237	SCREW	1
13	9221208	REVERSE VALVE KNOB	1
14	9263414	SPRING PIN	1
15	9SS0212	SPRING	1
16	9SB0003-1	STEEL BALL	2
17	9263417	GASKET	1
18	9263418	HOUSNG CAP	1
19	9233419	REAR PLATE	1

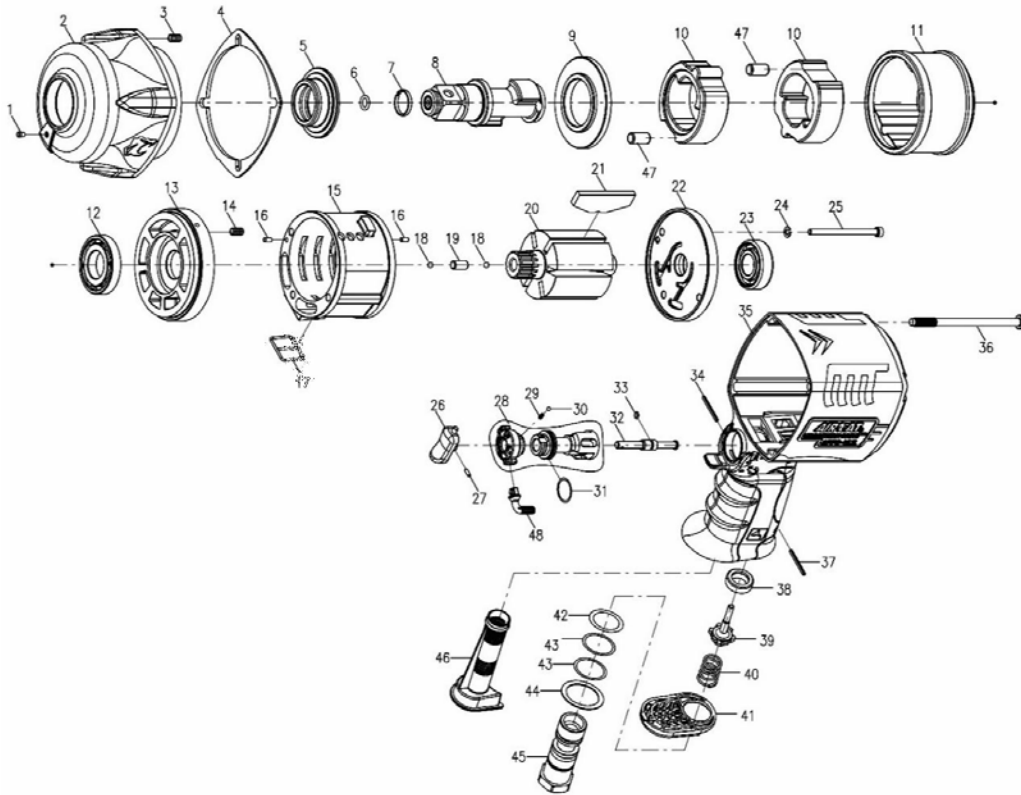
Ref #	Part Number	Description	Qty
20	9233423C	ROTOR BLADE	5
21	9263422-5	ROTOR	1
23	9233421	CYLINDER	1
24	9263424	FRONT PLATE	1
25	9233427	SPRING PIN	1
27	9263427	HAMMER CAGE	1
28	9263428	HAMMER	2
29	9263429	HAMMER PIN	2
30	9263430	3/4" SHORT ANVIL	1
31	90R1025	RETAINER O-RING	1
32	9223429	SOCKET RETAINER	1
33	9263433	ANVIL BUSHING	1
34	9263434	O-RING	1
35	9263435	SCREW	4
36	9263436	HAMMER HOUSING	1
38	9263438	SCREW	4
39	9221236	TRIGGER RETAINER	1
41	92634T46	GRIP	1
●	1777-PK	Tune-Up Kit for 1777-PK	1

● Tune-Up Kit for 1777-PK  
Includes Part Nos 5, 11, 15, 16 (2), 17, 20 (5), 31, 32, 34

# VIBROTHERM

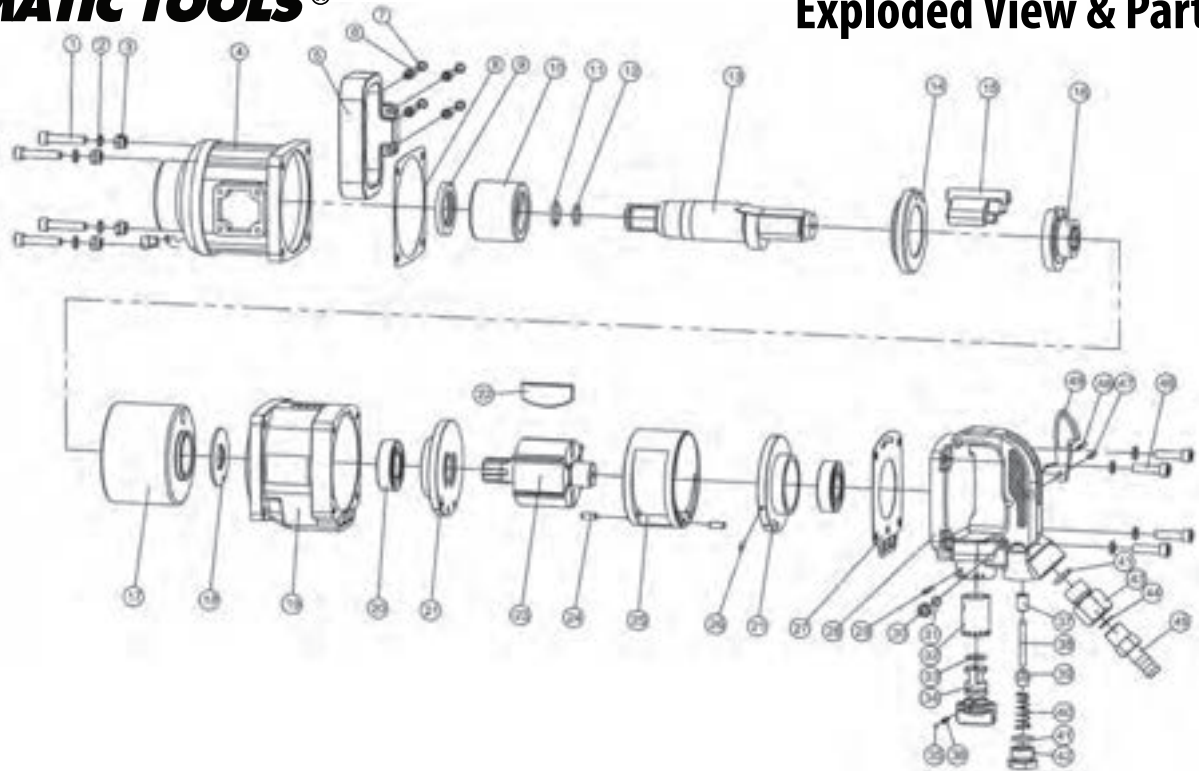
by **AIRCAT** DRIVE™

## MODEL: 1778-VXL 3/4" IMPACT WRENCH Exploded View & Parts List



Index No.	Part No.	Description	Q'ty	Index No.	Part No.	Description	Q'ty
1	00-4603	Grease Fitting	1	27	00-3325	Spring Pin	1
2	285Q-002	Hammer Case	1	28	285Q-034B	F/R Lever	1
3	00-4314	Helicoil	4	28	285B-021	R/F Valve	1
4	285Q-020	Front Gasket	1	29	305Y-027	Spring	1
5	285Q-010	Anvil Bushing	1	30	00-3816	Steel Ball	1
6	00-4122	O-Ring)	1	31	00-41111	O-Ring	1
7	280-028	Anvil Collar	1	32	285Q-029	Trigger pin	1
8	285Q-011A6	Anvil	1	33	00-4196	O-Ring	1
9	285Q-019	Hammer Cage Cover	1	34	00-3351	Spring Pin	1
10	285Q-017	Hammer	2	35	285Q-001	Motor Housing	1
11	285Q-012	Hammer Cage	1	36	285Q-028	Screw	4
12	00-2373	Ball Bearing	1	37	00-3306	Spring Pin	1
13	285Q-005	Front End Plate	1	38	306-027-B	Bushing	1
14	00-4301	Helicoil	3	39	306-026B	Valve Stem	1
15	285Q-006	Cylinder	1	40	305F-026-B	Spring	1
16	00-3419	Pin	2	41	278H-021	Exhaust Deflector	1
17	285B-030	Square Ring	1	42	00-4126	O-Ring(P16)	1
18	00-3824	Steel Ball	2	43	00-4143	O-Ring	2
19	00-3464	Pin	1	44	305F-032	Washer	1
20	285Q-007	Rotor	1	45	278F-025A	Air Inlet (3/8"PF)	1
21	278H-008D	Rotor Blade	6	45	278F-025B	Air Inlet (3/8"PT)	
				45	278F-025C	Air Inlet (3/8"NPT)	
22	285Q-009	Rear End Plate	1	46	278H-019-B	Exhaust Tube	1
23	00-2304	Ball Bearing	1	47	00-3482	Pin	2
24	00-1809	Spring Washer	3	48	243Q-035B	Tab	1
25B	00-0164	Cap Screw	3	●	1778-VXLPK	Tune Up Kit	1
26	285Q-023	Trigger	1				

● Includes Ref # 4, 6, 7, 21 (6), 31, 38, 42



Ref #	Part Number	Description	Qty
1	FS1992-01	Hex Screw	4
2	FS1992-02	Washer	8
3	FS1992-03	Nut	4
4	FS1992-04	Hammer Case	1
5	FS1992-05	Assistant Side Handle	1
6	FS1992-06	Bolt	4
7	FS1992-07	Washer	4
8	FS1992-08	Gasket	1
9	FS1992-09	Oil Seal	1
10	FS1992-10	Anvil Bushing	1
11	FS1992-11	Retainer Ring	1
12	FS1992-12	O-Ring	1
13	FS1992-13	Anvil (8 inch)	1
	FS1992-13S	Anvil (3 inch)	1
14	FS1992-14	Hammer Bushing	1
15	FS1992-15	Hammer Dog	1
16	FS1992-16	Cam	1
17	FS1992-17	Hammer Cage	1
18	FS1992-18	Steel Washer	1
19	FS1992-19	Motor Housing	1
20	FS1992-20	Ball Bearing	2
21	FS1992-21	End Plate	2
22	FS1992-22	Rotor Blade	6
23	FS1992-23	Rotor	1
24	FS1992-24	Dowel Pin	2

Ref #	Part Number	Description	Qty.
25	FS1992-25	Air Cylinder	1
26	FS1992-26	Pin	1
27	FS1992-27	Gasket	1
28	FS1992-28	Back Handle	1
29	FS1992-29	Regulator Pin	1
30	FS1992-30	Hex Screw	2
31	FS1992-31	O-Ring	2
32	FS1992-32	Valve Bushing	1
33	FS1992-33	O Ring	1
34	FS1992-34	Regulator Body	1
35	FS1992-35	Spring	1
36	FS1992-36	Steel Ball	1
37	FS1992-37	Spring	1
38	FS1992-38	Throttle Valve Stem	1
39	FS1992-39	Throttle Valve	1
40	FS1992-40	Inlet Spring	1
41	FS1992-41	O-Ring	2
42	FS1992-42	Hex Screw	1
43	FS1992-43	Air Inlet Fitting	1
44	FS1992-44	Air Inlet Screen	1
45	FS1992-45	Hose Connector	1
46	FS1992-46	Hex Screw	4
47	FS1992-47	Pin	1
48	FS1992-48	Pin	1
49	FS1992-49	Trigger-Inside	1

Tune Up Kit Part #1992-PK

Includes part nos. 8, 11, 12, 22(6), 27, 33, 41(2)